



concentric™  
INTERNATIONAL



**SEATS**

# SEAT INDEX

<b>LAWN &amp; GARDEN/UTILITY SEATS</b>	<b>3</b>	<b>5100 SERIES</b>	<b>39</b>
1000 SERIES	4	5120 SERIES	40
1100 SERIES	5	5130 SERIES	41
1500 SERIES	6	5150 SERIES	42
1200 SERIES	7	5200 SERIES	43
1350 SERIES	8	5300 SERIES	44
1400 SERIES	9	5500 SERIES	45
1430 SERIES	10	5550 SERIES	46
1500 SERIES	11	5560 SERIES	47
1550 SERIES	12	5570-5580 SERIES	48
2200 SERIES	13	5590 SERIES	50
2300 SERIES	14	5600 SERIES	51
<b>INDUSTRIAL SEATS</b>	<b>15</b>	<b>SEAT ACCESSORIES</b>	<b>52</b>
3000 SERIES	16	<b>ARM RESTS/HIP RESTRAINTS</b>	<b>53</b>
3200 SERIES	17	Armrest Kit	53
3300 SERIES	18	Adjustable Armrest	53
3400 SERIES	19	Adjustable Armrest	53
3550 SERIES	20	Adjustable Armrest	53
3600 SERIES	21	Adjustable Armrest	54
3700 SERIES	22	Armrest Kit for 360010BK	54
3900 SERIES	23	Hip Restraint Kit	54
3950 SERIES	24	<b>BRACKETS</b>	<b>54</b>
4000 SERIES	25	5500 Hardware Kit	54
4400 SERIES	26	5600 Hardware Kit	55
4410 SERIES	28	Flip-Type Bracket	55
4500 SERIES	29	Low Profile Flip-Type Bracket	55
4510 SERIES	30	Ford/New Holland Bracket	55
4600 SERIES	31	<b>SEAT BELTS</b>	<b>56</b>
4700 SERIES	32	Standard Seatbelt	56
4800 SERIES	33	Retractable Seatbelt	56
7600 SERIES	34	Retractable Seatbelt	56
7800 SERIES	35	<b>SLIDES</b>	<b>57</b>
<b>AGRICULTURAL SEATS/CUSHIONS</b>	<b>36</b>	Adjustable Slides	57
5010 SERIES	37	Universal Slide Kit with Studs	57
5020 SERIES	37	Universal Slot Bar	57
5030 SERIES	37	<b>SUSPENSIONS</b>	<b>58</b>
5050 SERIES	37	Heavy Duty Suspension	58
5080 SERIES	38	Low Profile Suspension	58

# OEM Seating Solutions

Concentric International offers a broad line of seats suitable for agricultural, construction, industrial, lawn & garden, professional turf, and utility equipment applications. Our line includes traditional seats, as well as some of the latest seat designs with unique appearances and features for operator comfort and safety.

All seats are built on quality-constructed frames in a broad range of widths and heights. The design of our seat frames allows for a variety of mounting patterns to fit specific machine applications. Seat covers range from traditional vinyl, heavy-duty vinyl and heavy-duty fabric, to integral polyurethane foam. Each of these materials are engineered to withstand different levels of everyday abuse and harsh environmental conditions. Our factories are certified to ISO 9001 standards to ensure our seats maintain the consistent quality demanded by OEMs.



Contact our OEM Seat Solutions Team member to discuss specific seat designs, seat comfort/safety features, and other specific requirements to meet your OEM needs.

**B L A C K**  
**TALON**  
**S E A T S**

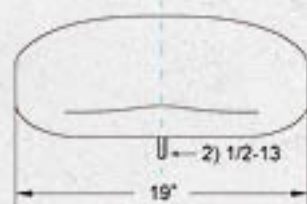
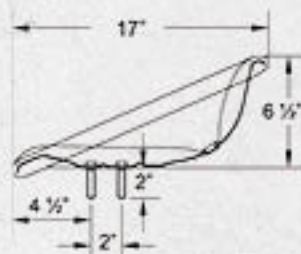
# LAWN & GARDEN/ UTILITY



# LAWN & GARDEN/UTILITY SEATS

## 1000 SERIES - UNIVERSAL PAN

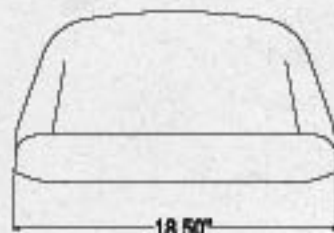
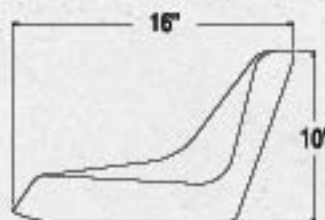
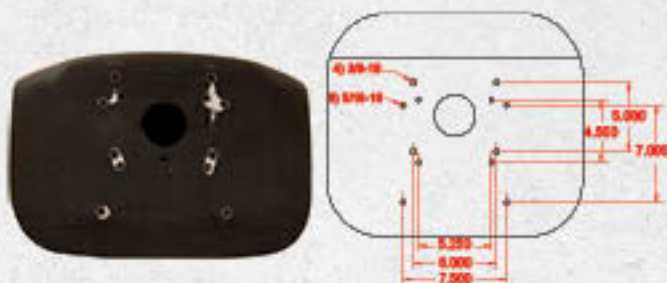
BLACK  
**TALON**  
SEATS



1000<sup>00</sup>BK

The Universal Pan Seat (1000 Series) offers the flexibility to fit a multitude of applications, and is durably constructed to withstand rigorous use. It features a rigid, sturdy construction and three (3) drain holes to help prevent moisture and to provide ample air flow. It also offers two (2) fixed mounting bolts for easy installation.

Seat Dimensions		
Height	6.5	
Width	19"	
Depth	17"	
Seat Features		
Back Rest	NA	
Cushion Cover	HD Vinyl	
Slides	NA	
Studs	NA	
Arm Rests	NA	
Hip Restraints	NA	
Operator Switch	NA	
Suspension	NA	
Mounting Pattern	Universal	
Seat Belt	NA	



1100<sup>00</sup>BK

The Deluxe Low-Back Seat (1100 Series) is constructed from an integral Polyurethane cover and high-density foam around a steel frame for maximum support and comfort. It features a waterproof design and a universal mounting pattern to ensure this seat is a perfect fit for most lawn and garden vehicles.

Seat Dimensions		
Height	10"	
Width	18.5"	
Depth	16"	
Seat Features		
Back Rest	Standard	
Cushion Cover	Integral Polyurethane	
Slides	Option	900000, 900020
Studs	NA	
Arm Rests	NA	
Hip Restraints	NA	
Operator Switch	Accepts	Delta Switch 6520
Suspension	NA	
Mounting Pattern	Universal	5.25"-7.5" x 4.5"-7" range
Seat Belt	NA	

# 1150 SERIES

## DELUXE HIGH-BACK

BLACK  
**TALON**  
SEATS



1150<sup>00</sup>BK



The Deluxe Ultra High-Back Seat (1150 Series) is constructed from an integral polyurethane cover and high-density foam around a steel frame for maximum support and comfort. It features a waterproof design and an extended back rest. Additionally, it has a universal mounting pattern to ensure this seat is a perfect fit for most lawn and garden vehicles.

Seat Dimensions		
Height	14.5"	
Width	19"	
Depth	19"	
Seat Features		
Back Rest	Standard	
Cushion Cover	Integral Polyurethane	
Slides	Accepts	900000, 900020
Studs	NA	
Arm Rests	NA	
Hip Restraints	NA	
Operator Switch	Accepts	Delta Switch 6520
Suspension	NA	
Mounting Pattern	Universal	5.25"-7.5" x 4.5"-7" Range
Seat Belt	NA	



1200<sup>02</sup>BK



The Deluxe Ultra High-Back Seat (1200 Series) is constructed from an integral polyurethane high-density foam around a steel frame for maximum support and comfort. It features a waterproof design and an extended back rest.

Seat Dimensions		
Height	18.5"	
Width	17.5"	
Depth	20.5"	
Seat Features		
Back Rest	Standard	
Cushion Cover	Integral Polyurethane	
Slides	Option	900000, 900020
Studs	NA	
Arm Rests	Option	930000
Hip Restraints	NA	
Operator Switch	NA	
Suspension	Option	See Suspensions pg. 58
Mounting Pattern	Universal	8"-11.25" x 7.75"-11.5" range
Seat Belt	NA	



# 1350 SERIES

## DELUXE ULTRA HIGH-BACK STEEL PAN

BLACK  
**TALON**  
SEATS



1350<sup>01</sup>BK



The Deluxe Ultra High-Back Steel Pan Seat (1350 Series) offers traditional comfort and durability for most lawn & garden and utility applications. It features a high-density foam construction with inlaid airflow lines and 2 drainage holes, molded around a steel pan base. It accepts armrests, operator presence switch, slides, and flip brackets (all sold separately).

Seat Dimensions		
Height	14"	
Width	20"	
Depth	20"	
Seat Features		
Back Rest	Standard	
Cushion Cover	Vinyl	
Slides	Option	900000, 900020
Studs	NA	
Arm Rests	Option	931020
Hip Restraints	NA	
Operator Switch	Accepts	Delta Switch 6520
Suspension	Option	See Suspension pg. 58
Mounting Pattern	Universal	6"-11.25" x 3"-11.25" Range
Seat Belt	NA	



1400<sup>01</sup>BK



The Deluxe Ultra High-Back Seat (1400 Series) offers a blow-molded structured frame with high-density foam cushion and heavy duty vinyl cover for maximum protection and comfort. This Gator-style seat features a waterproof construction and drain hole. It accepts an operator presence switch, slides, and flip brackets (all sold separately). Available in black, yellow, and grey.

Seat Dimensions		
Height	19.5"	
Width	18"	
Depth	21"	
Seat Features		
Back Rest	Standard	
Cushion Cover	Vinyl	
Slides	Option	900000, 900020
Studs	NA	
Arm Rests	Option	930400
Hip Restraints	NA	
Operator Switch	Accepts	Delta Switch 6520
Suspension	Option	See Suspensions pg. 58
Mounting Pattern	Universal	7.5"-11.25" x 3"-11.5" range
Seat Belt	NA	

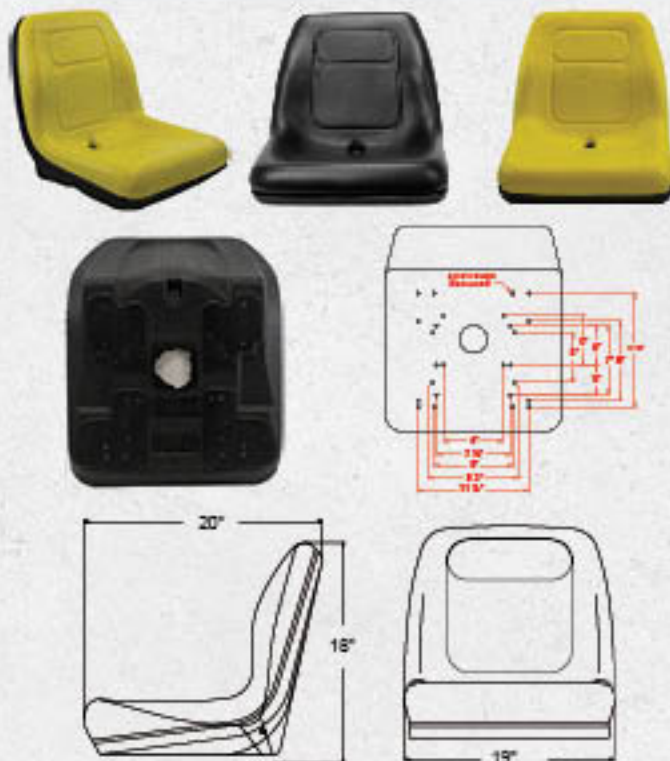
# 1430 SERIES

## ULTRA HIGH-BACK SEAT

BLACK  
**TALON**  
SEATS

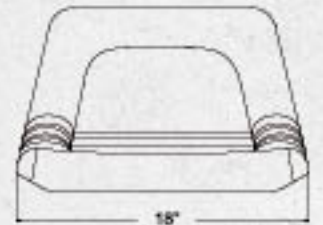
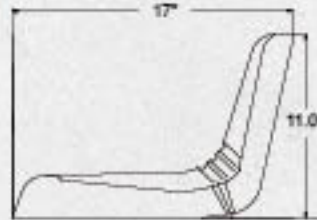
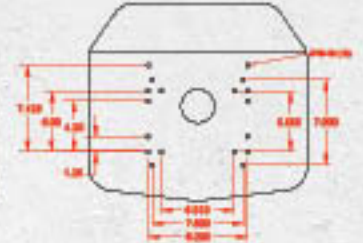


1430<sup>00</sup>BK



The Ultra High-Back Seat (1430 Series) features a heavy duty vinyl cover around high-density foam cushion and is a perfect economical alternative to the Gator style seats. It has one drainage hole and accepts an operator presence switch and arm rests (sold separately). Available in Black, Yellow, and Grey.

Seat Dimensions		
Height	18"	
Width	19"	
Depth	20"	
Seat Features		
Back Rest	Standard	
Cushion Cover	Vinyl	
Slides	Option	900000, 900020
Studs	NA	
Arm Rests	Option	930500
Hip Restraints	NA	
Operator Switch	Accepts	Delta Switch 6520
Suspension	Option	See Suspensions pg 58
Mounting Pattern	Universal	6"-11.25" x 3"-11.5" Range
Seat Belt	NA	



1500<sup>00</sup>BK

The Low Back Steel Pan Seat (1500 Series) features a heavy duty PVC cover around high-density molded foam in a compact design, allowing for maximum versatility in application. It is water resistant and accepts an operator presence switch and slides (sold separately).

Seat Dimensions		
Height	11"	
Width	18"	
Depth	17"	
Seat Features		
Back Rest	Standard	
Cushion Cover	PVC Cover	
Slides	Option	900000, 900020
Studs	NA	
Arm Rests	NA	
Hip Restraints	NA	
Operator Switch	Accepts	Delta Switch 6520
Suspension	Option	See Suspensions pg. 58
Mounting Pattern	Universal	6"-8.2" x 1.25"-7.125" range
Seat Belt	NA	

# 1550 SERIES

## HIGH-BACK STEEL PAN

BLACK  
**TALON**  
SEATS



1550<sup>00</sup>BK



The High Back Steel Pan Seat (1550 Series) features a heavy duty PVC cover around high-density molded foam in compact design, allowing for maximum versatility in the application. Additionally, it features a raised back from greater back support. It is water resistant and accepts an operator presence switch and slides (sold separately).

Seat Dimensions		
Height	14"	
Width	19"	
Depth	18"	
Seat Features		
Back Rest	Standard	
Cushion Cover	PVC Cover	
Slides	Option	900000, 900020
Studs	NA	
Arm Rests	NA	
Hip Restraints	NA	
Operator Switch	Accepts	Delta Switch 6520
Suspension	Option	See Suspensions pg. 58
Mounting Pattern	Universal	6"-8.2" x 1.25"-7.5" Range
Seat Belt	NA	



2200<sup>00</sup>BK



The Broad-Base High Back seat (2200 Series) is the perfect seat for maximum comfort and maneuverability. It features a wide backrest and seat that provides for a full range of motion. The adjustable armrests flip up for easy entering and exiting, and the slides allow a variety of users to adjust the position of the seat forward and backward. Accepts an operator presence switch.

Seat Dimensions		
Height	22.5"	
Width	26.5"	With Armrests
Depth	23"	
Seat Features		
Back Rest	Standard	
Cushion Cover	Vinyl	
Slides	Standard	7.75" Travel
Studs	NA	
Arm Rests	Standard	
Hip Restraints	NA	
Operator Switch	Accepts	Delta Switch 6520
Suspension	Option	See Suspension pg. 58
Mounting Pattern	Universal	Adjustable Width: 5.5" -13.5" Slotted Slides
Seat Belt	NA	

# 2300 SERIES

## DELUXE HIGH-BACK

BLACK  
**TALON**  
SEATS



The Deluxe High-Back Seat (2300 Series) is constructed from a high-density foam molded cushion around a steel seat pan with hard plastic vinyl lip for maximum support and comfort. Additionally, it accepts an operator presence switch, seatbelt, and universal slot bar.

Seat Dimensions		
Height	23"	
Width	24.5"	With Armrests
Depth	24.5"	
Seat Features		
Back Rest	Standard	
Cushion Cover	Vinyl	
Slides	Standard	7.5" Travel
Studs	NA	
Arm Rests	Standard	Adjustable
Hip Restraints	NA	
Operator Switch	Accepts	Delta Switch 6520
Suspension	Option	See Suspension pg. 58
Mounting Pattern	Universal	7.5"-11.25" x 3"-11" Range
Seat Belt	Option	

# INDUSTRIAL





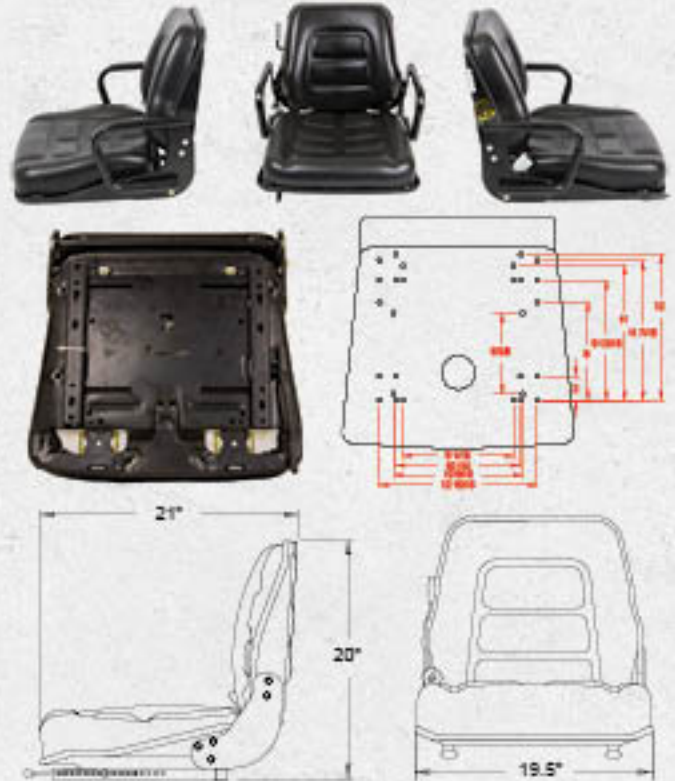
# INDUSTRIAL SEATS

## 3000 SERIES - BACK-SUSPENSION SEAT

BLACK  
**TALON**  
SEATS



3001<sup>01</sup>BK

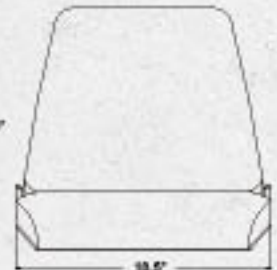
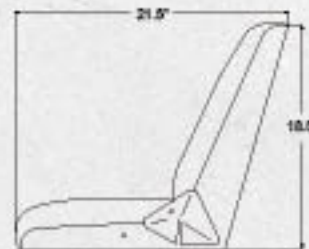
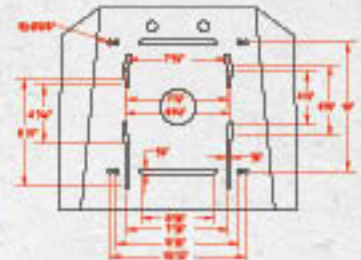


The Back Suspension Seat with Slides (3000 Series) is the perfect option for many forklifts and industrial machinery application. It has a sturdy steel frame construction for heavy usage, as well as a durable, seamless vinyl cover of high density molded foam for maximum comfort.

Seat Dimensions		
Height	20"	With Slides
Width	19.5"	
Depth	21"	
Seat Features		
Back Rest	Adjustable Angle	
Cushion Cover	Available	Fabric or Vinyl
Slides	Standard	6" Travel
Studs	Option	
Arm Rests	Option	
Hip Restraints	Standard	Adjustable Angle
Operator Switch	Option	Normally Open
Suspension	NA	
Mounting Pattern	Universal	9"-13" x 9.81"-11.4375" range
Seat Belt	Option	



3200<sup>00</sup>BK



The Steel Pan seat (3200 Series) features a heavy duty steel pan for heavy-use industrial applications, and features a vinyl covered high density foam cushion. It has a universal mounting slot pattern and can accept both operator presence switches and slides.

Seat Dimensions		
Height	18.5"	
Width	18.5"	
Depth	21.5"	
Seat Features		
Back Rest	NA	
Cushion Cover	Vinyl	
Slides	Option	
Studs		
Arm Rests	NA	
Hip Restraints	NA	Adjustable Angle
Operator Switch	Accepts	Delta Switch 6520
Suspension	Options	950000, 955000
Mounting Pattern	Two Patterns	9.5"-10.5" x 10" range for 320000 8"-10.88" x 11.44" range for 320101
Seat Belt	NA	

# 3300 SERIES

FULL ADJUSTMENT W/ SUSPENSIONS

BLACK  
**TALON**  
SEATS



The Full Adjustment Seat with Suspension (3300 Series) Offers a complete adjustment capabilities and maximum comfort. The seat includes swivel for easy entry/exit. Adjustable armrests and seat back (0° to 130° tilt), suspension (2"-3.375" stroke) with weight and 3 position height adjustment.

Seat Dimensions		
Height	31"-33.5"	Depending on Suspension Setting
Width	24.5"	With Armrests
Depth	22.5"	In Normal Operating Position
Seat Features		
Back Rest	Adjustable Angle	
Cushion Cover	Available	Fabric or Vinyl
Slides	Standard	6.25" Travel
Studs	Option	
Arm Rests	Standard	Adjustable Angle
Hip Restraints	NA	
Operator Switch	NA	
Suspension	Standard	2"-3.375" Stroke, Adjustable
Mounting Pattern	Universal	10.25" x 7.75"-12.75" Range
Seat Belt	Standard	



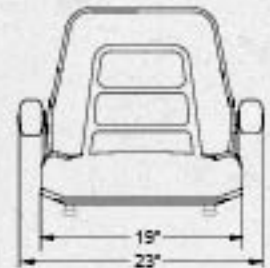
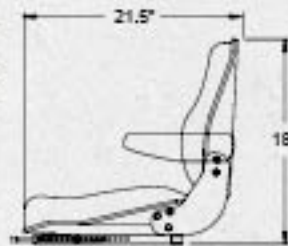
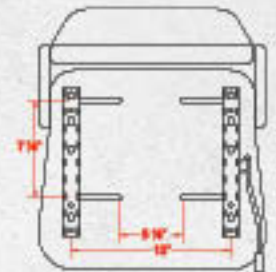
The Universal 2pc Seat (3400 Series) offers a steel frame with trimmed edge construction for maximum longevity in high use situations. The heavy duty black vinyl cover protects the high density molded cushion, providing comfort and durability.

Seat Dimensions		
Height	18"	
Width	18"	
Depth	19"	
Seat Features		
Back Rest	NA	
Cushion Cover	Vinyl	
Slides	Standard	5.5" Travel
Studs	NA	
Arm Rests	NA	
Hip Restraints	NA	
Operator Switch	NA	
Suspension	Option	950000, 955000
Mounting Pattern	Universal	3"-15.125" x 11" Range.
Seat Belt	NA	

# 3550 SERIES

## UNIVERSAL FOLD-DOWN

BLACK  
**TALON**  
SEATS



The Universal Fold-Down Seat (3550 Series) is the perfect seat for most ZTR's and industrial equipment. It features a heavy-duty vinyl cover and steel frame construction for increased durability and comfort. It also has a fold-down backrest for easy access and compactability.

Seat Dimensions		
Height	18"	
Width	23"	With Armrests
Depth	21.5"	
Seat Features		
Back Rest	Fold Down	
Cushion Cover	Vinyl	
Slides	Available	6" Travel
Studs	Available	
Arm Rests	Available	931050
Hip Restraints	Available	
Operator Switch	Available	Only on 355202 and 355203
Suspension	Option	950000, 955000
Mounting Pattern	Universal	5.125"-13" x 11" Range
Seat Belt	Option	



3600<sup>10</sup>BK



The High-Back with Integrated Suspension Seat (3600 Series) features a fully-suspended seat on a low-profile integrated suspensions for optimal comfort. It features a seamless black vinyl construction on heavy-duty foam cushion. Popular on ZTRs, Skid Steer and other Industrial Applications.

Seat Dimensions		
Height	24"	
Width	24"	With Armrests
Depth	24.5"	
Seat Features		
Back Rest	NA	
Cushion Cover	Vinyl	
Slides	Standard	7" Travel
Studs	Available	
Arm Rests	Available	931060
Hip Restraints	NA	
Operator Switch	Accepts	Delta Switch 6520
Suspension	Mechanical	1.5" Stroke
Mounting Pattern	Universal	11.25" x 11"
Seat Belt	Option	

# 3700 SERIES

## SIMPLE SEAT

BLACK  
**TALON**  
SEATS



3701<sup>00</sup>BK

The Simple Seat (3700 Series) features a low profile back rest for optimal comfort. It features a heavy-duty black vinyl construction on heavy-duty foam cushion. Popular on Forklifts and GSE Equipment

Seat Dimensions		
Height	19"	
Width	21"	With Hip Restraints
Depth	22"	
Seat Features		
Back Rest	Adjustable	57 Degrees Forward
Cushion Cover	Vinyl	
Slides	Standard	5.5" Travel
Studs	Option	
Arm Rests	NA	
Hip Restraints	Available	
Operator Switch	Available	Wafer Style
Suspension	NA	
Mounting Pattern	Universal	11" x 1.5"-16" Range
Seat Belt	Option	



3900<sup>01</sup>BK



The High-Pro Industrial (3900 series) is the perfect seat for many forklift and industrial equipment applications. This seat is available with slides, operator presence switch, and seat belts.

Seat Dimensions		
Height	27"	With suspension
Width	20"	
Depth	23"	
Seat Features		
Back Rest	NA	
Cushion Cover	HD Vinyl	
Slides	Standard	5.5" Range of Adjustment
Studs	Option	
Arm Rests	NA	
Hip Restraints	NA	
Operator Switch	Standard	
Suspension	Mechanical	0.5" Stroke
Mounting Pattern	Universal	Adjustable Width 6"-13" x 11"-11.25" Range
Seat Belt	Standard	Retractable



# 3950 SERIES

## UNIVERSAL INDUSTRIAL SEAT

BLACK  
**TALON**  
SEATS



3950<sup>00</sup>BK



The Universal Industrial (395 series) is the perfect seat for almost every forklift. This seat is available with slides and retractable seat belts.

Seat Dimensions		
Height	23"	
Width	23.5"	
Depth	21.5"	In Normal Operating Position
Seat Features		
Back Rest	Adjustable	76-129 Degrees
Cushion Cover	HD Vinyl	
Slides	Standard	6.875" Travel
Studs	Option	
Arm Rests	NA	
Hip Restraints	Standard	
Operator Switch	Standard	
Suspension	Option	950000, 955000
Mounting Pattern	Universal	9.06"-13.39" x 13" Range
Seat Belt	Standard	Retractable



4001<sup>01</sup>BK



The Fold-Down Back Seat (4000 series) is the perfect seat for many forklift and industrial equipment applications. This seat comes with slides, hip restraints, and the option of 2 different types of seat belts.

Seat Dimensions		
Height	20.5"	With Slides
Width	23"	With Hip Restraints
Depth	21.5"	
Seat Features		
Back Rest	Adjustable	83-127 Degrees
Cushion Cover	HD Vinyl	
Slides	Standard	7.5" Range of Adjustment
Studs	Option	
Arm Rests	NA	
Hip Restraints	Standard	
Operator Switch	Option	Wafer Switch
Suspension	NA	
Mounting Pattern	Universal	
Seat Belt	Standard	

# 4400 SERIES

PREMIUM HIGH-BACK, CORDURA®

BLACK  
**TALON**  
SEATS



4400<sup>00</sup>BK

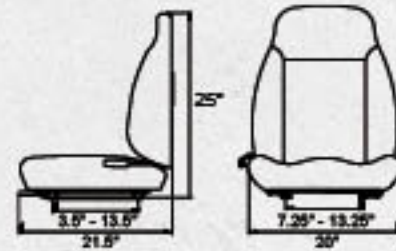
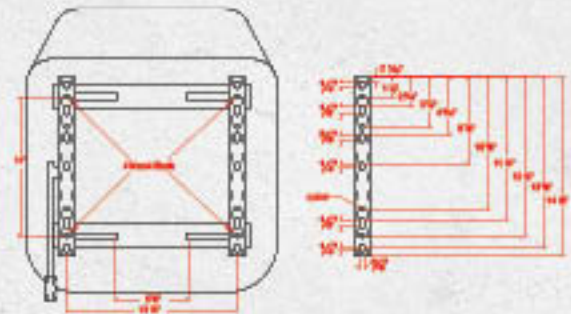


The Premium High-Back Seat (4400 Series) features water resistant, ultra tough CORDURA® fabric, high density foam cushion, and a three (3) position lumbar support with an adjustable fold-forward and reclining backrest. It also has adjustable armrests and slides, with a document pouch. This is the perfect model for most ZTR equipment.

Seat Dimensions		
Height	26"	
Width	24"	With Armrests
Depth	21.5"	In Normal Operating Position
Seat Features		
Back Rest	Adjustable	27-163 Degrees
Cushion Cover	Cordura® Fabric	
Slides	Standard	5.5" Travel
Studs	Option	
Arm Rests	Standard	Adjustable Angle
Hip Restraints	NA	
Operator Switch	Accepts	Delta Switch 6520
Suspension	Option	950000, 955000
Mounting Pattern	Universal	7"-13.5" x Slotted Slides
Seat Belt	Option	



4400<sup>02</sup>BK



The Premium High-Back Seat (4400 Series) features water resistant, heavy-duty vinyl, high density foam cushion, and a three (3) position lumbar support with an adjustable fold-forward and reclining backrest. This is the perfect model for most commercial turf equipment. Available in black, yellow, or grey. Available with an adjustable mounting system.

Seat Dimensions		
Height	25"	
Width	24"	With Armrests
Depth	21.5"	
Seat Features		
Back Rest	Adjustable	27-163 degrees
Cushion Cover	Available	Fabric or Vinyl
Slides	Standard	5.5" Travel
Studs	Option	
Arm Rests	Standard	Adjustable Angle
Hip Restraints	NA	
Operator Switch	Accetps	Delta Switch 6520
Suspension	Option	950000, 955000
Mounting Pattern	Universal	7"-13.5" x Slotted Slides
Seat Belt	Option	

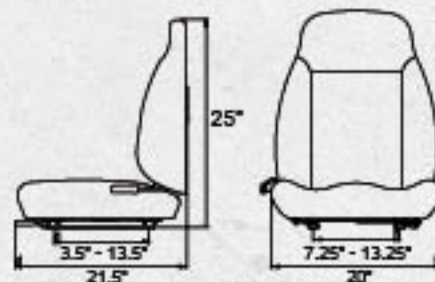
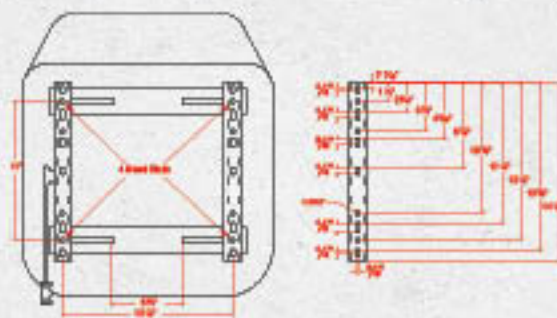
# 4410 SERIES

## PREMIUM HIGH-BACK

BLACK  
**TALON**  
SEATS



4100<sup>00</sup>BK



The Premium High-Back Seat (4410 Series) features water resistant, heavy-duty vinyl, high density foam cushion, and a three (3) position lumbar support with an adjustable fold-forward and reclining backrest. This is the perfect model for most ZTR'S. Available with an adjustable mounting system.

Seat Dimensions		
Height	24.5"	
Width	20"	
Depth	21.5"	
Seat Features		
Back Rest	Adjustable	25-151 degrees
Cushion Cover	Vinyl	
Slides	Standard	7.5" Travel
Studs	NA	
Arm Rests	NA	
Hip Restraints	NA	
Operator Switch	Accepts	Delta Switch 6520
Suspension	Option	See Suspension pg 58
Mounting Pattern	Universal	7"-13.5" x Slotted Slides
Seat Belt	Option	



4500<sup>00</sup>BK



The Contoured High-Back Seat (4500 Series) features a heavy-duty vinyl cover over high-density foam for maximum comfort and durability for many industrial and agricultural applications. It accepts operator presence switch, armrests, and most suspension sets (each sold separately).

Seat Dimensions		
Height	20.5"	
Width	18"	
Depth	21.5"	
Seat Features		
Back Rest	NA	
Cushion Cover	Vinyl	
Slides	Standard	7.75" Range of Adjustment
Studs	Available	
Arm Rests	Available	931020
Hip Restraints	Available	
Operator Switch	Accepts	Delta Switch 6520
Suspension	Option	See Suspension pg. 58
Mounting Pattern	Universal	7.5"-11.25" x 7"-11.5" Range.
Seat Belt	Option	

# 4510 SERIES

## SCOOP CONTOURED STEEL PAN

BLACK  
**TALON**  
SEATS



4510<sup>00</sup>BK

The Scoop Contoured Steel Pan seat (4510 Series) features a heavy-duty vinyl cover over high-density foam for maximum comfort and durability for many industrial applications. The 14-gauge steel pan is perfect for those high-use/high-traffic applications, and can be features with many accessory options.

Seat Dimensions		
Height	21"	With Slides
Width	18.5"	
Depth	22"	
Seat Features		
Back Rest	NA	
Cushion Cover	Vinyl	
Slides	Available	900000, 900010
Studs	NA	
Arm Rests	Available	931020
Hip Restraints	NA	
Operator Switch	Accepts	Delta Switch 6520
Suspension	Option	See Suspension pg. 58
Mounting Pattern	Universal	7.5"-11.25" x 4.5"-11.5" Range
Seat Belt	Available	



4600<sup>00</sup>BK

The Ultra High-Back Seat (4600 Series) features a heavy-duty vinyl cover over high density foam cushion with a steel pan construction, providing maximum comfort on durable, work-intense applications. The inset lines and drain holes provide optimal airflow and moisture drainage, ensuring operating performance without increased discomfort. Ideal seat for a variety of skid steer models AND ZTR's.

Seat Dimensions		
Height	23"	
Width	19"	
Depth	22.5"	
Seat Features		
Back Rest	NA	
Cushion Cover	Vinyl	
Slides	Available	900000, 900020
Studs	NA	
Arm Rests	Available	931030
Hip Restraints	NA	
Operator Switch	Accepts	Delta Switch 6520
Suspension	Option	See Suspension pg. 58
Mounting Pattern	Universal	7.875"-11.25" x 7.875"-11.5 Range
Seat Belt	Option	



# 4700 SERIES

## NARROW PROFILE SUSPENSION

BLACK  
**TALON**  
SEATS



4700<sup>00</sup>BK



The Low Profile Suspension with height and weight adjustment (4700 series) seat offers a versatile fit for narrow industrial equipment applications, without sacrificing comfort. It has adjustable armrests and headrest, bi-directional backrest angle adjustment, air or mechanical suspension, and lumbar support

Seat Dimensions		
Height	37"-39"	Depending on Suspension
Width	23"	With Armrests
Depth	23.5"	In Normal Operating Position
Seat Features		
Back Rest	Adjustable	43-180 Degrees
Cushion Cover	Available	Fabric or Vinyl
Slides	Standard	8" Travel
Studs	Option	
Arm Rests	Standard	Adjustable Angle
Hip Restraints	NA	
Operator Switch	Available	Wafer switch
Suspension	Standard	2"-3" Adjustable Stroke
Mounting Pattern	Universal	10.25" x 12.25"
Seat Belt	Standard	Retractable



The Low Profile Suspension with Full Adjustment Seat (4800 Series) offers the full range of adjustment options in a low-profile design, perfect for forklifts and other industrial equipment. It features adjustable armrests or hip restraints, backrest angle adjustment, integrated low profile suspension, optional lumbar support, and weight control adjustment.

Seat Dimensions		
Height	23"	
Width	24.5"	With Hip Restraints
Depth	25"	
Seat Features		
Back Rest	Adjustable	
Cushion Cover	Available	Fabric or Vinyl
Slides	Available	900000, 900020
Studs	Available	7/16" x 1" NC Thread
Arm Rests	Available	Adjustable Angle
Hip Restraints	Available	
Operator Switch	Standard	Delta Switch 6520
Suspension	Standard	1" Stroke
Mounting Pattern	Universal	7.875"-11.25" x 7.875"-11.5 Range
Seat Belt	Standard	Retractable

# 7600 SERIES

## HIGH PROFILE SUSPENSION

BLACK  
**TALON**  
SEATS



7601<sup>00</sup>BK



The High Profile Suspension Seat with full adjustment (7600 series) provides maximum comfort features while maintaining the high profile design for specific industrial applications. Comfort features include adjustable armrests and headrest, bi-directional backrest angle adjustment, cushion extension and tilt controls, weight adjustment control, and heavy duty suspension (air or mechanical).

Seat Dimensions		
Height	41.5"-43.5"	Depends on Suspension
Width	24.5"	With Armrests
Depth	24"-26"	Adjustable Cushion
Seat Features		
Back Rest	Adjustable	72-170 Degrees
Cushion Cover	Available	Fabric or Vinyl
Slides	Standard	7" Travel
Studs	Option	
Arm Rests	Standard	Adjustable Angle
Hip Restraints	NA	
Operator Switch	Available	Delta Switch 6520
Suspension	Standard	2"-3" Stroke
Mounting Pattern	Universal	10.25" x 12.25"
Seat Belt	Standard	Retractable



7800<sup>00</sup>BK

The Heavy Duty Suspension Seat with full adjustment (7800 series) offers options for tough industrial machinery, without the loss of comfort. It features adjustable armrests and headrests, bi-directional back angle adjustment, cushion extension and tilt controls, optional lumbar support, and weight adjustment controls, on a heavy duty suspension. It has a document holder, integrated OPS switch, retractable seat belt, slides, and swivel (optional).

Seat Dimensions		
Height	37.5"	
Width	24"	With Armrests
Depth	24.5"	Including Suspension and Adjusting Knob
Seat Features		
Back Rest	Adjustable	61-169 Degrees
Cushion Cover	Available	Fabric or Vinyl
Slides	Standard	7" Travel
Studs	Option	
Arm Rests	Standard	Adjustable Angle
Hip Restraints	NA	
Operator Switch	Standard	Delta Switch 6520 (N/O)
Suspension	Standard	2" Stroke
Mounting Pattern	Universal	10.25" x 12.25"
Seat Belt	Standard	Retractable

# AGRICULTURAL





5010<sup>00</sup>GR



5030<sup>00</sup>RW



5050<sup>00</sup>BK



5020<sup>00</sup>GR

The High Density Foam Seat cushion (5000 series) are a perfect fit for adding comfort to traditional steel pan seats. These versatile foam cushions makes any ride much more comfortable. Custom colors are available.

Seat Dimensions		
Height	1.5"	
Width	20" (5030,5050), 21" (5010), 19" (5020)	
Depth	18" (5020, 5030, 5050), 19" (5010))	
Seat Features		
Back Rest	NA	
Cushion Cover	HD Vinyl	
Slides	NA	
Studs	NA	
Arm Rests	NA	
Hip Restraints	NA	
Operator Switch	NA	
Suspension	NA	
Mounting Pattern	NA	

# 5080 SERIES

## UNIVERSAL COMPACT

BLACK  
**TALON**  
SEATS

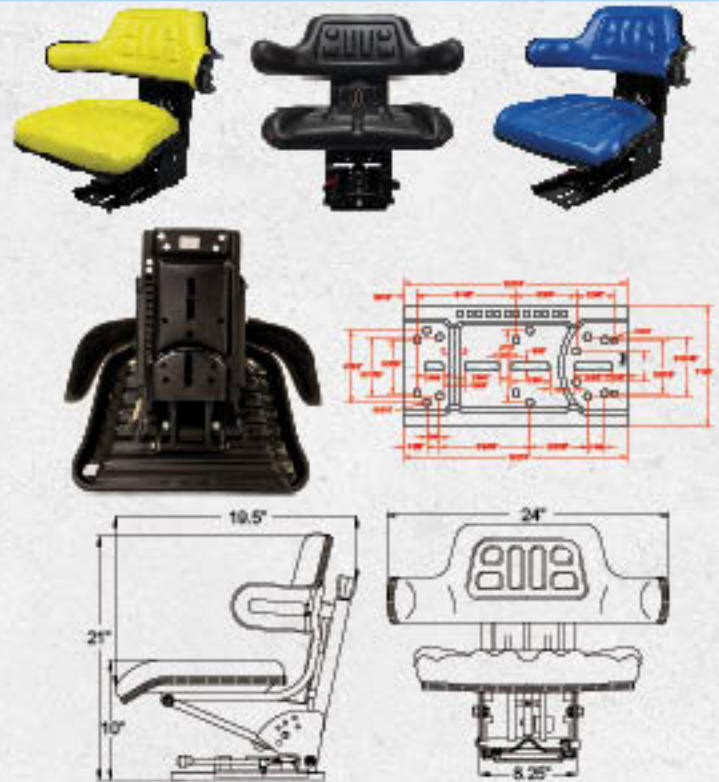


5080<sup>00</sup>BK



The Universal Compact Seat with Slides (5080 Series) features a vinyl-covered molded cushion for maximum comfort and reduced wear. The steel frame construction provides needed support for high-use applications. It has an adjustable bolt pattern to fit a variety of machinery, from lawn and garden to industrial equipment, and anything in between. Additionally, it has adjustable width slides for easy, universal mounting. Available in black and yellow.

Seat Dimensions		
Height	16.5"	
Width	19"	
Depth	20"	
Seat Features		
Back Rest	Static	
Cushion Cover	Vinyl	
Slides	Standard	900000, 900020
Studs	NA	
Arm Rests	NA	
Hip Restraints	NA	
Operator Switch	NA	
Suspension	Option	See Suspension pg. 58
Mounting Pattern	Universal	7.5"-13.25" x 11" Range.
Seat Belt	NA	



The Universal Tractor Seat with Adjustable Suspension (5100 series) is the traditional universal suspension seat for virtually any piece of agricultural machinery. It features a heavy duty vinyl cover over a high density molded cushion. The adjustable weight suspension is built in the steel frame with a 2.75" suspension stroke, and a weight capacity of 110 - 264 lbs. It comes with an adjustable angle base for custom comfort. It has variable slides and multiple mounting hole patterns for easy installation. Available in black, blue, and yellow.

Seat Dimensions		
Height	21"	
Width	24"	
Depth	19.5"	
Seat Features		
Back Rest	Static	
Cushion Cover	Vinyl	
Slides	Standard	6.2" Travel
Studs	NA	
Arm Rests	NA	
Hip Restraints	NA	
Operator Switch	NA	
Suspension	Mechanical	2.75" Stroke
Mounting Pattern	Universal Bolt Pattern	
Seat Belt	NA	



# 5120 SERIES

## UNIVERSAL TRAPEZOID

BLACK  
**TALON**  
SEATS



5120<sup>00</sup>BK



The Universal Trapezoid with Adjustable Suspension (5120 Series) is the premium seat for a variety of agricultural tractors. It features a heavy duty vinyl cover over a high density molded cushion. The adjustable weight suspension is built in the steel frame with a 2.75" suspension stroke with a weight capacity of 110 - 264 lbs. It also come with an adjustable angle base for comfort customization. It has a variable slide track and multiple mounting hole patterns for easy installation. Available in black and yellow.

Seat Dimensions		
Height	21.5"	
Width	19.5"	
Depth	23.5"	
Seat Features		
Back Rest	Static	
Cushion Cover	Vinyl	
Slides	Standard	
Studs	NA	
Arm Rests	NA	
Hip Restraints	NA	
Operator Switch	NA	
Suspension	Mechanical	2.75" Stroke
Mounting Pattern	Universal Bolt Pattern	
Seat Belt	NA	



5130<sup>00</sup>BK



The Universal Trapezoid with Adjustable Suspension (5130 series) is an economical alternative. It features a heavy duty vinyl cover over a high density molded cushion. The adjustable weight suspension is built in the steel frame with a 3" suspension stroke, and a weight capacity of 110 - 264 lbs. It comes with an adjustable angle base for comfort customization. It has variable slides and multiple mounting hole patterns for easy installation.

Seat Dimensions		
Height	23.5"	
Width	19"	
Depth	19.5"	
Seat Features		
Back Rest	Static	
Cushion Cover	Vinyl	
Slides	Standard	5.25" Travel
Studs	NA	
Arm Rests	NA	
Hip Restraints	NA	
Operator Switch	NA	
Suspension	Mechanical	3" Stroke
Mounting Pattern	Universal Bolt Pattern	
Seat Belt	NA	

# 5150 SERIES

## UNIVERSAL INTEGRAL-POLY

BLACK  
**TALON**  
SEATS



5150<sup>00</sup>BK



The Premium Universal Tractor Seat with Adjustable Suspension (5150 Series) features a heavy duty integral polyurethane molded cushion, with warp-around arms. The adjustable weight suspension is built in the steel frame with a 3" suspension stroke with a weight capacity of 110 - 264 lbs. It also comes with an adjustable angle base for customizing comfort. It has a variable slide track and multiple mounting hole patterns for easy installation.

Seat Dimensions		
Height	20.5"	
Width	21"	
Depth	23"	
Seat Features		
Back Rest	Static	
Cushion Cover	Integral Polyurethane	
Slides	Standard	5.25" Travel
Studs	NA	
Arm Rests	NA	
Hip Restraints	NA	
Operator Switch	NA	
Suspension	Mechanical	3" Stroke
Mounting Pattern	Universal Bolt Pattern	2.5"-5.9" x 0.6"-11" Range
Seat Belt	NA	



5200<sup>10</sup>BK



The Compact Tractor Seat (5200 series) features a heavy-duty narrow steel pan with a high density vinyl covered cushion. It offers a drain hole for easy moisture drainage, as well as waterproof design with sealed edges. Available with or without the flip-type brackets that make this seat fit a plethora of applications, from lawn and garden to industrial and more.

Seat Dimensions		
Height	12.5"	
Width	14.5"	
Depth	17.5"	
Seat Features		
Back Rest	Static	
Cushion Cover	Vinyl	
Slides	NA	
Studs	NA	
Arm Rests	NA	
Hip Restraints	NA	
Operator Switch	NA	
Suspension	NA	
Mounting Pattern	Universal	5.5"-7.5" x 1.63"-7" Range
Seat Belt	NA	

# 5300 SERIES

## COMPACT TRACTOR w/ HIGH BACK

# BLACK TALON SEATS



5300<sup>00</sup>BK



The Compact Tractor Seat with High Back (5300 series) features a heavy-duty steel pan construction covered in a high-density foam cushion. It's wrapped in a heavy duty black vinyl, with dual drain holes and moisture lines for easy drainage. The perfect seat for heavy outdoor use applications.

Seat Dimensions		
Height	20"	
Width	17"	
Depth	20.5"	
Seat Features		
Back Rest	Static	
Cushion Cover	Vinyl	
Slides	Available	5.75" Travel
Studs	Available	
Arm Rests	NA	
Hip Restraints	NA	
Operator Switch	Accepts	Delta Switch 6520
Suspension	Option	See Suspension pg. 58
Mounting Pattern	Universal Bolt Pattern	6"-11.25" x 2"-9.875" Range
Seat Belt	NA	



5500<sup>00</sup>YE



The 3pc Replacement Cushion set (5500 series) is designed as a replacement set for many specific John Deere machines in a variety of applications. It features high density foam cushions, with a heavy duty yellow vinyl, over a steel back construction. Check our web site for specific applications and OEM cross-reference numbers.

Seat Dimensions		
Height	16.5"	
Width	25"	
Depth	18.5"	
Seat Features		
Back Rest	Static	
Cushion Cover	Vinyl	
Slides	NA	
Studs	NA	
Arm Rests	NA	
Hip Restraints	NA	
Operator Switch	NA	
Suspension	NA	
Mounting Pattern	Replacement Specific	See Application Chart
Seat Belt	NA	

# 5550 SERIES

## WILL-FIT 2PC REPLACEMENT CUSHION

BLACK  
**TALON**  
SEATS



The 2pc Replacement Cushion set (5550 series) is designed as a replacement set for specific John Deere machines in a variety of applications. It features high density foam cushions, with a heavy duty yellow vinyl, over a steel back construction. It comes prepackaged in a full graphics package. Check our web site for specific applications and OEM cross-reference numbers.

Seat Dimensions	Bottom Cushion	Back Cushion
Height	3.5"	9"
Width	18.5"	23"
Depth	14"	10"
Seat Features		
Back Rest	Static	
Cushion Cover	Vinyl	
Slides	NA	
Studs	NA	
Arm Rests	NA	
Hip Restraints	NA	
Operator Switch	NA	
Suspension	NA	
Mounting Pattern	Replacement Specific	See Application Chart
Seat Belt	NA	



5560<sup>00</sup>YE



The 4pc Replacement Cushion set (5560 series) is designed as a replacement set for specific John Deere machines in a variety of applications. It features high density foam cushions, with a heavy duty yellow vinyl, over a steel back construction. Check our web site for specific applications and OEM cross-reference numbers.

Seat Dimensions		
Height	21"	
Width	24.5"	
Depth	22.5"	
Seat Features		
Back Rest	Static	
Cushion Cover	Vinyl	
Slides	NA	
Studs	NA	
Arm Rests	NA	
Hip Restraints	NA	
Operator Switch	NA	
Suspension	NA	
Mounting Pattern	Replacement Specific	See Application Chart
Seat Belt	NA	



# 5570 SERIES

WILL-FIT MECHANICAL/HYDRAULIC BACK CUSHIONS

BLACK  
**TALON**  
SEATS



5570<sup>00</sup>BR

The Mechanical/Hydraulic Back Cushion set (5570 series) is designed as a replacement cushion for both the mechanical or hydraulic back cushion on specific John Deere tractors, combines, cotton pickers, etc. It offers a steel back construction, with a heavy duty fabric cover on high density foam. Pairs with the #558 base cushions. Comes in Packaging Perfect for Retailers and Dealers. Check our web site for specific applications and OEM cross-reference numbers.

Seat Dimensions		
Height	16"	
Width	16"	
Depth	5.5"	
Seat Features		
Back Rest	Static	
Cushion Cover	Fabric	
Slides	NA	
Studs	NA	
Arm Rests	NA	
Hip Restraints	NA	
Operator Switch	NA	
Suspension	NA	
Mounting Pattern	Replacement Specific	See Application Chart
Seat Belt	NA	



The Mechanical/Hydraulic Base Cushion set (5580 series) is designed as a replacement in both the mechanical or hydraulic cushions on specific John Deere tractors, combines, cotton pickers, etc. It offers a steel back construction, with a heavy duty fabric cover on high density foam. Pairs with the #5570 back cushion. Comes in Packaging Perfect for Retailers and Dealers. Check our web site for specific applications and OEM cross-reference numbers.

Seat Dimensions		
Height	5"	
Width	21"	
Depth	17.5"	
Seat Features		
Back Rest	Static	
Cushion Cover	Fabric	
Slides	NA	
Studs	NA	
Arm Rests	NA	
Hip Restraints	NA	
Operator Switch	NA	
Suspension	NA	
Mounting Pattern	Replacement Specific	See Application Chart
Seat Belt	NA	

# 5590 SERIES

## WILL-FIT CUSHION

BLACK  
**TALON**  
SEATS

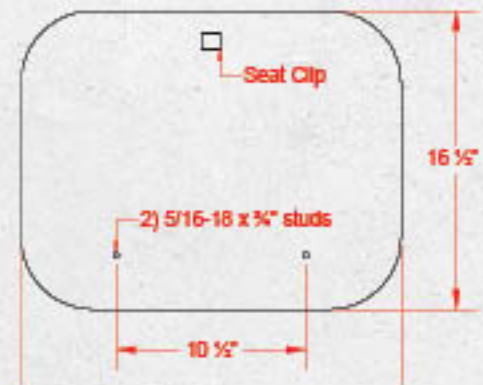


The 2pc Replacement Cushion set (5590 series) is designed as a replacement set for specific John Deere machines in a variety of applications. It features high density foam cushions with a heavy duty yellow vinyl or brown fabric. It comes prepackaged in a full graphics package. Check our web site for specific applications and OEM cross-reference numbers.

Seat Dimensions	Bottom Cushion	Back Cushion
Height	5"	17.5"
Width	20"	17.5"
Depth	19"	2"
Seat Features		
Back Rest	Static	
Cushion Cover	Available	Fabric or Vinyl
Slides	NA	
Studs	NA	
Arm Rests	NA	
Hip Restraints	NA	
Operator Switch	NA	
Suspension	NA	
Mounting Pattern	Replacement Specific	See Application Chart
Seat Belt	NA	



5600<sup>00</sup>BW1H



The 3pc Replacement Cushion set (5600 series) is designed as a replacement set for specific International Harvester machines in a variety of applications. It features high density foam cushions, with a heavy duty black and white vinyl, over a steel back framework. Check our web site for specific applications and OEM cross-reference numbers.

Seat Dimensions		
Height	21.5"	Assembled with 561000BW Bracket Kit
Width	26"	Assembled with 561000BW Bracket Kit
Depth	23"	Assembled with 561000BW Bracket Kit
Seat Features		
Back Rest	Static	
Cushion Cover	Vinyl	
Slides	NA	
Studs	NA	
Arm Rests	NA	
Hip Restraints	NA	
Operator Switch	NA	
Suspension	NA	
Mounting Pattern	Replacement Specific	See Application Chart
Seat Belt	NA	

# ACCESSORIES



## ARMRESTS



### Standard Arm Rest Kit

930000BK

- Set of 2
- Fits Series: 1200



### Adjustable Armrest Kit

930500BK

- Set of 2
- 3 Bolt Mount
- Solid Polyurethane Construction
- Fits Series: 1400, 1430



### Adjustable Armrest Kit

931020BK

- Set of 2
- 3 Bolt Mount
- Solid Polyurethane Construction
- Adjustable Angle
- Fits Series: 1350, 4500



### Adjustable Armrest Kit

931030BK

- Set of 2
- 3 Bolt Mount
- Solid Polyurethane Construction
- Adjustable Angle
- Fits Series: 4600

# ACCESSORIES

## ARMRESTS/BRACKETS

BLACK  
**TALON**  
SEATS



### Adjustable Armrest Kit

931040BK

- Set of 2
- 3 Bolt Mount
- Solid Polyurethane Construction
- Adjustable Angle
- Fits Series: 3300, 4400, 4410



### Standard Armrest Kit

931060BK

- Adjustable Angle
- Heavy Duty Mounting Bracket
- Flip Up
- Fits Series: 3600



### Hip Restraint Kit

935000BK

- Welded Steel Tubing
- Hardware Included
- Fits Series: 300000



### Hardware Kit

551000YE

- Heavy Gauge Powder Coated Steel Mounting Brackets
- Fits 5500 Series 3 PC Cushion Set



### Hardware Kit

561000BW

- Heavy Gauge Powder Coated Steel Mounting Brackets
- Fits 5600 Series 3 Piece Cushion Set



### Flip-type Bracket Kit

940000GD

- Hardware Package for Flip-Type Seat Function
- Fits Series:  
1350, 1400, 1430, 5200, 5300



### Low Profile Flip-Type Bracket Kit

940000LP

- Hardware Package for Low Profile Flip-Type Seat Function
- Fits Series:  
1350, 1400, 5200, 5300



### Ford/New Holland Bracket Kit

941000SL

- Hardware Package for Ford/New Holland Applications
- Fits Series: 1350





### Standard Seatbelt Kit

962000BK

- 2 Piece Interlocking Clip
- 2 Mounting Brackets
- Heavy Duty Nylon Material
- Specs: 51" Long, 2" Wide, 0.04" Thick



### Retractable Seatbelt Kit

962050BK/OR

- 2 Piece Interlocking Clip
- 2 Mounting Brackets
- Heavy Duty Nylon Material
- Retractable Spool w/ Enclosed Case
- Available in Orange or Black
- Specs: 47" Long, 2" Wide, 0.04" Thick



### Retractable Seatbelt Kit

962150BK/OR

- 2 Piece Interlocking Clip
- 2 Mounting Brackets
- Heavy Duty Nylon Material
- Retractable Spool w/ Enclosed Case
- Built in Safety Switch w/ Harness
- Available in Orange or Black
- Specs: 47" Long, 2" Wide, 0.04" Thick



### Adjustable Slides

90000BK

- Adjustable Slides, pair, black
- Fits Series: 1100, 1150, 1200, 1350, 1400, 1500, 1550, 3000, 3200, 3300, 3400, 3550, 4000, 4400, 4410, 4500, 4600, 5080, 5200, 5300



### Universal Slide Kit with Studs

900020BK

- Powder Coat Paint
- Universal Application
- Studs fixed at 11"
- Fits Seat Models: 1100, 1150, 1200, 1350, 1400, 1430, 1500, 1550, 3000, 3200, 3300, 3400, 4000, 4400, 4410, 4500, 4600, 5080, 5200, 5300



### Universal Slot Bar Kit

945001BK

- Converts any bolt pattern to widths of : 5" - 13.5"
- Set of 2 bars - Fits 1 seat or 1 suspension
- Fits Series: 1100, 1150, 1200, 1350, 1400, 1430, 1500, 1550, 3000, 3300, 3600, 4500, 4600



### Heavy Duty Suspension

950000BK

- 4-Spring suspension with Hydraulic Damper
- Weight Adjustment (110-265 lbs.)
- Fully Skirted
- Powder Coated
- Fits Series: 1100, 1150, 1200, 1350, 1400, 3200, 3400, 3550, 4500, 5080
- Bolt Pattern: 10.63"W x 11.63"D

Height

- Adjustment (0-2.35")
- 3.9 Stroke



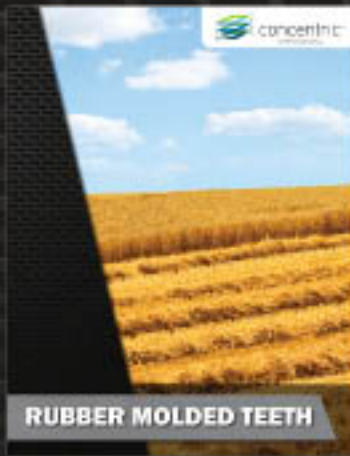
### Low Profile Suspension

955000BK

- Low-Profile Suspension
- Fully-Skirted
- Powder Coated
- Fits Series: 1100, 1150, 1200, 1350, 1400, 3000, 3200, 3400, 3550, 3700, 4400, 4410, 4500, 4600, 5080
- Bolt Pattern: 10.25" W x 5.25", 6.5, 8.63, 9.63, 10.75, 12, 12.75" D
- 2" Stroke



concentric™  
INTERNATIONAL



RUBBER MOLDED TEETH



POWER TRANSMISSION  
SOLUTIONS



ELECTRICAL PRODUCT GROUP

Learn More About All of Our Products.

[www.concentricintl.com](http://www.concentricintl.com)

Copyright ©2019. All Rights Reserved

*A RUAN COMPANY*