



concentric[™]
INTERNATIONAL

ELECTRICAL PRODUCT GROUP

ELECTRICAL PRODUCT INDEX

LINEAR ACTUATORS	3
Light Duty	4
Light Duty, Quiet	5
Medium Duty	6
Industrial Duty, GEN I ACME Screw Drive	7
Industrial Duty, GEN I Ball Screw Drive	8
Industrial Duty, GEN II ACME Screw Drive	9
Industrial Duty, GEN II Ball Screw Drive	10
GF Light Duty, IP69K	11
GF14 & GF15, In-Line Series	12
Will-Fit	13
CUSTOM LINEAR ACTUATORS	14
Made For You	14
BRACKETS	15
Light Duty, Aluminum	16
Light Duty , Steel	16
Light Duty Clamp , Aluminum	16
Medium Duty, Aluminum	17
Medium Duty, Steel	17
Industrial Duty, Aluminum	17
Industrial Duty Clevis, Aluminum	18
Industrial Duty, Steel	18
CONTROLLERS	19
Versa 2 Wireless Controller	20
Versa 7 Wireless Controller	21
3 Position Controller	22
3 Position Controller Dual	23
ACCESSORIES	24
Heavy Duty Reversing Relay	25
Reversing Rocker Switch, 4 Wire	26
Reversing Toggle Switch, 4 Wire	26

ELECTRICAL PRODUCT GROUP

Electronic Control Solutions That Push/Pull Performance to New Heights

Concentric International is a leader in wireless RF systems, linear actuators and high current polarity reversing contactors for a wide variety of markets, including original equipment manufacturing (OEM), wholesale, retail and hobbyists. Our linear actuator products are among the most versatile and comprehensive in the world, and many models are highly scalable and customizable. Capabilities range from exceptional push/pull force to highly precise and controlled applications, plus powerful performance in space- and weight-saving applications.

Our linear actuators have also helped translate the visions of many hobbyists and inventors into reality. Concentric International are experts in designing and producing specialized linear actuators for OEMs and wholesalers.



LIGHT DUTY



MEDIUM DUTY



INDUSTRIAL DUTY

For more information contact us at info@concentricintl.com today.

 **GLIDEFORCE**

LINEAR ACTUATORS



LINEAR ACTUATORS

LIGHT DUTY SERIES



Our Light Duty (LACT) Series linear actuators feature a compact design that delivers a 112 lb. dynamic load capacity (with standard 20:1 gear ratio). These units are ideally suited for many industrial, agricultural, automotive, and off-highway applications with limited installation space. All aluminum construction with steel drive gears ensure tremendous durability and reliability. Offered in six stroke lengths from 2" to 12" (nominal) with speeds ranging from 0.22 inches to 1.73 inches per second. All Light Duty Series linear actuators come standard with non-adjustable limit switches to safely stop the drive motor at each end-of-stroke.

Standard Features:

- Compact design
- All aluminum frame and extension tube
- Nominal stroke lengths: 2" [50mm], 4" [100mm], 6" [150mm], 8" [200mm], 10" [250mm], 12" [300mm]
- Input voltage: 12VDC, 24VDC
- Standard gear ratio: 20:1 [other ratios available]
- Dynamic load range: 34 lbs. [150 Newtons] to 225 lbs. [1000 Newtons]
- Maximum static load: 582 lbs. [2,500 Newtons]
- Maximum current draw: 3.2 Amps @ 12 VDC
- Speed at no load: 0.28 in/sec [7 mm/sec] to 1.73 in/sec [43.9 mm/sec]
- Speed at max load: 0.22 in/sec [5.5 mm/sec] to 1.44 in/sec [36.5 mm/sec]
- Standard preset limit switches at both ends of stroke
- Noise level: ≤70dB
- Mounting hole diameter (both ends): 1/4" [6.4mm]
- Duty cycle: 25% or 1 min continuous operation within 4 min.
- Working temperature: -13F [-25C] to +149F [+65C]
- IP rating: IP65

Performance Data

Gear Ratio	Max Load/Dynamic		Speed/No Load		Speed/Max Load	
	Lbs. [US]	Newtons	inches/sec	mm/sec	inches/sec	mm/sec
05:1	34	150	1.73	43.9	1.44	36.5
10:1	56	250	1.09	27.6	0.93	23.5
20:1	112	500	0.57	14.6	0.48	12.3
30:1	180	800	0.37	09.5	0.30	07.5
40:1	225	1000	0.28	07.0	0.22	05.5



Our Light Duty Quiet (-Q) Series linear actuators are 15dB quieter than the standard LD Series, with the same dynamic load capacity. These units are ideally suited for many industrial and scientific, sound sensitive applications. All aluminum construction with nylon drive gears ensure durability with quiet operation. Offered in six stroke lengths from 2" to 12" (nominal) with speeds ranging from 0.10 inches to 0.23 inches per second. All Light Duty Quiet Series linear actuators come standard with non-adjustable limit switches to safely stop the drive motor at each end-of-stroke.

Standard Features:

- Compact design
- All aluminum frame and extension tube
- Nominal stroke lengths: 2" [50mm], 4" [100mm], 6" [150mm], 8" [200mm], 10" [250mm], 12" [300mm]
- Input voltage: 12VDC, 24VDC
- Gear ratios available: 20:1, 30:1
- Dynamic load range: 112 lbs. [500 Newtons] to 180 lbs. [800 Newtons] (push/pull)
- Maximum static load: 562 lbs. [2,500 Newtons]
- Maximum current draw: 1.2 Amps @ 12 VDC
- Speed at no load: 0.15 in/sec [3.8 mm/sec] to .23 in/sec [5.8 mm/sec]
- Speed at max load: 0.10 in/sec [2.6 mm/sec] to .15 in/sec [3.9 mm/sec]
- Standard preset limit switches at both ends of stroke
- Noise level: ≤55dB
- Mounting hole diameter (both ends): 1/4" [6.4mm]
- Duty cycle: 25% or 1 min continuous operation in 4 min.
- Working temperature: -13F [-25C] to +149F [+65C]
- IP rating: IP65

Performance Data

Gear Ratio	Max Load/Dynamic		Speed/No Load		Speed/Max Load	
	Lbs. [US]	Newtons	inches/sec	mm/sec	inches/sec	mm/sec
20:1	112	500	0.23	5.8	0.15	3.9
30:1	180	800	0.15	3.8	0.10	2.6

LINEAR ACTUATORS

MEDIUM DUTY SERIES



Our Medium Duty (MD) Series linear actuators feature a compact design that delivers a 225 lb. dynamic load capacity (with standard 20:1 gear ratio). These units are ideally suited for many industrial, agricultural, automotive, and off-highway applications with intermediate load demands. All aluminum construction with steel drive gears ensure tremendous durability and reliability. Offered in five stroke lengths from 4" to 12" (nominal) with speeds ranging from 0.17 inches to 1.06 inches per second. All Medium Duty Series linear actuators come standard with non-adjustable limit switches to safely stop the drive motor at each end-of-stroke.

Standard Features:

- Compact design
- All aluminum frame and extension tube
- Nominal stroke lengths: 4" [100mm], 6" [150mm], 8" [200mm], 10" [250mm], 12" [300mm]
- Input voltage: 12VDC, 24VDC
- Standard gear ratio: 20:1 [other ratios available]
- Dynamic load range: 112 lbs. [500 Newtons] to 562 lbs. [2,500 Newtons]
- Maximum static load: 337 lbs. [1,500 Newtons] (10:1 gear ratio) 1,012 lbs. [4,500 Newtons] (20, 30, 40, 50:1 gear ratios)
- Maximum current draw: 4.6 Amps @ 12 VDC
- Speed at no load: 0.24 in/sec [6.2 mm/sec] to 1.06 in/sec [26.8 mm/sec]
- Speed at max load: 0.17 in/sec [4.4 mm/sec] to 0.73 in/sec [18.6 mm/sec]
- Standard preset limit switches at both ends of stroke
- Noise level: ≤70dB
- Mounting hole diameter (both ends): 3/8" [10mm]
- Duty cycle: 25% or 1 min continuous operation in 4 min.
- Working temperature: -13F [-25C] to +149F [+65C]
- IP rating: IP65, (IP69K – Special Order)

Performance Data

Gear Ratio	Max Load/Dynamic		Speed/No Load/12V		Speed/Max Load/12V	
	Lbs. [US]	Newtons	inches/sec	mm/sec	inches/sec	mm/sec
10:1	112	500	1.06	26.8	0.73	18.6
20:1	225	1000	0.58	14.7	0.41	10.4
30:1	337	1500	0.39	09.9	0.27	06.8
40:1	450	2000	0.29	07.4	0.20	05.1
50:1	562	2500	0.24	06.2	0.17	04.4



Our Industrial Duty Acme Drive (LACTx-500A) Series linear actuators feature a robust design that delivers a 562 lb. dynamic load capacity (with standard 20:1 gear ratio). These units are ideally suited for many industrial, agricultural, automotive, and off-highway applications with high load demands. Steel and aluminum construction with steel drive gears ensure tremendous durability and reliability. Offered in six stroke lengths from 4" to 24" (nominal) with speeds ranging from 0.29 inches to 1.32 inches per second. All Industrial Duty linear actuators come standard with a torque limiting clutch for overload protection.

Standard Features:

- All steel frame and extension tube
- Aluminum gearbox housing
- Nominal stroke lengths: 4", 6", 8", 12", 18", 24", [other stroke lengths available]
- Input voltage: 12VDC, 24VDC
- Standard gear ratio: 20:1 [other ratios available]
- Dynamic load range: 337 lbs. [1,500 Newtons] to 787 lbs. [3,500 Newtons]
- Maximum static load: 1,012 lbs. [4,500 Newtons]
- Maximum current draw (at full load): 11.0 to 17.6 Amps @ 12 VDC
- Speed at no load: 0.33 in/sec [8.4 mm/sec] to 1.32 in/sec [33.5 mm/sec]
- Speed at max load: 0.29 in/sec [7.4 mm/sec] to 1.05 in/sec [26.7 mm/sec]
- Overload clutch
- Mounting hole diameter (both ends): 1/2" [13mm]
- Duty cycle: 25% or 2 min continuous operation in 8 min.
- Working temperature: -13F [-25C] to +149F [+65C]
- IP rating: IP65

Performance Data

Gear Ratio	Max Load/Dynamic		Speed/No Load		Speed/Max Load	
	Lbs. [US]	Newtons	inches/sec	mm/sec	inches/sec	mm/sec
10:1	337	1500	1.32	33.5	1.05	26.7
20:1	562	2500	0.66	16.8	0.56	14.3
40:1	787	3500	0.33	8.4	0.29	7.4

LINEAR ACTUATORS

INDUSTRIAL DUTY, GEN I BALL SCREW DRIVE



Our Industrial Duty Ball Screw Drive (LACTx-1000B) Series linear actuators feature a robust design that delivers a 1,012 lb. dynamic load capacity (with standard 20:1 gear ratio). These units are ideally suited for many industrial, agricultural, automotive, and off-highway applications with high load demands. Steel and aluminum construction with steel drive gears ensure tremendous durability and reliability. Offered in six stroke lengths from 4" to 24" (nominal) with speeds ranging from 0.29 inches to 2.64 inches per second. All Industrial Duty linear actuators come standard with a torque limiting clutch for overload protection.

Standard Features:

- All steel frame with stainless steel extension tube
- Aluminum gearbox housing
- Nominal stroke lengths: 4", 6", 8", 12", 18", 24", [other stroke lengths available]
- Input voltage: 12VDC, 24VDC
- Standard gear ratio: 20:1 [other ratios available]
- Dynamic load range: 582 lbs. [2,500 Newtons] to 1,574 lbs. [7,000 Newtons]
- Maximum static load: 3,057 lbs. [13,600 Newtons]
- Maximum current draw (at full load): 11.0 to 26.4 Amps @ 12 VDC
- Speed at no load: 0.33 in/sec [8.4 mm/sec] to 2.64 in/sec [67.1 mm/sec]
- Speed at max load: 0.29 in/sec [7.4 mm/sec] to 1.86 in/sec [47.2 mm/sec]
- Overload clutch
- Mounting hole diameter (both ends): 1/2" [13mm]
- Duty cycle: 25% or 2 min continuous operation in 8 min.
- Working temperature: -13F [-25C] to +149F [+65C]
- IP rating: IP65

Performance Data

Gear Ratio	Max Load/Dynamic		Speed/No Load		Speed/Max Load	
	Lbs. [US]	Newtons	inches/sec	mm/sec	inches/sec	mm/sec
05:1	562	2500	2.64	67.1	1.86	47.2
10:1	787	3500	1.32	33.5	1.05	26.7
20:1	1012	4500	0.66	16.8	0.56	14.3
30:1	1349	6000	0.44	11.2	0.39	09.8
40:1	1574	7000	0.33	08.4	0.29	07.4



Our Industrial Duty Acme Drive (10A) Series linear actuators feature a robust design that delivers a 562 lb. dynamic load capacity (with standard 20:1 gear ratio). These units are ideally suited for many industrial, agricultural, automotive, and off-highway applications with high load demands. Steel and aluminum construction with steel drive gears ensure tremendous durability and reliability. Offered in six stroke lengths from 4" to 24" with speeds ranging from 0.29 inches to 1.32 inches per second. All Industrial Duty linear actuators come standard with a torque limiting clutch for overload protection.

Standard Features:

- All steel frame and extension tube
- Aluminum gearbox housing
- Stroke lengths: 4", 6", 8", 12", 18", 24", [other stroke lengths available]
- Input voltage: 12VDC, 24VDC
- Standard gear ratio: 20:1 [other ratios available]
- Dynamic load range: 337 lbs. [1,500 Newtons] to 787 lbs. [3,500 Newtons]
- Maximum static load: 1,012 lbs. [4,500 Newtons]
- Maximum current draw (at full load): 11.0 -to- 17.6 Amps @ 12 VDC
- Speed at no load: 0.33 in/sec [8.4 mm/sec] to 1.32 in/sec [33.5 mm/sec]
- Speed at max load: 0.29 in/sec [7.4 mm/sec] to 1.05 in/sec [26.7 mm/sec]
- Overload clutch
- ACME screw drive
- Mounting hole diameter (both ends): 1/2" [13mm]
- Duty cycle: 25% or 2 min continuous operation in 8 min.
- Working temperature: -13F [-25C] to +149F [+65C]
- IP rating: IP65, (IP69K or Special Order)

Performance Data

Gear Ratio	Max Load/Dynamic		Speed/No Load		Speed/Max Load	
	Lbs. [US]	Newtons	inches/sec	mm/sec	inches/sec	mm/sec
10:1	337	1500	1.32	33.5	1.05	26.7
20:1	562	2500	0.66	16.8	0.56	14.3
40:1	787	3500	0.33	08.4	0.29	07.4

LINEAR ACTUATORS



INDUSTRIAL DUTY, GEN II BALL SCREW DRIVE



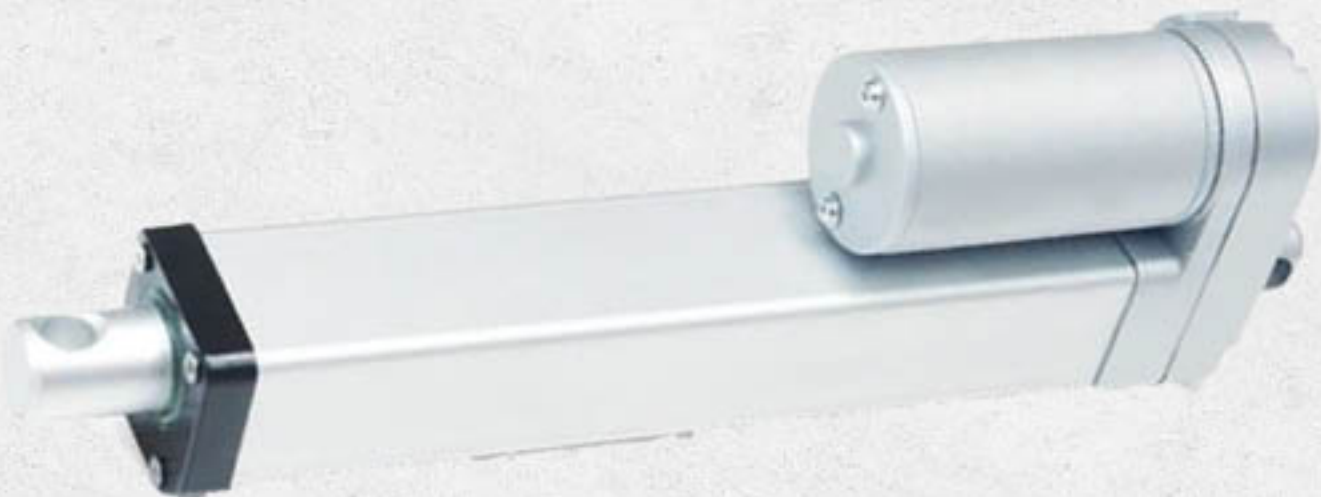
Our Industrial Duty Ball Screw Drive (10B) Series linear actuators feature a robust design that delivers a 1,012 lb. dynamic load capacity (with standard 20:1 gear ratio). These units are ideally suited for many industrial, agricultural, automotive, and off-highway applications with high load demands. Steel and aluminum construction with steel drive gears ensure tremendous durability and reliability. Offered in six stroke lengths from 4" to 24" with speeds ranging from 0.29 inches to 2.64 inches per second. All Industrial Duty linear actuators come standard with a torque limiting clutch for overload protection.

Standard Features:

- All steel frame with stainless steel extension tube
- Aluminum gearbox housing
- Stroke lengths: 4", 6", 8", 12", 18", 24",
[other stroke lengths available]
- Input voltage: 12VDC, 24VDC
- Standard gear ratio: 20:1 [other ratios available]
- Dynamic load range: 562 lbs. [2,500 Newtons] to
1,574 lbs. [7,000 Newtons]
- Maximum static load: 3,057 lbs. [13,600 Newtons]
- Maximum current draw (at full load): 11.0 to 26.4
Amps @ 12 VDC
- Speed at no load: 0.33 in/sec [8.4 mm/sec] to 2.64
in/sec [67.1 mm/sec]
- Speed at max load: 0.29 in/sec [7.4 mm/sec] to 1.86
in/sec [47.2 mm/sec]
- Overload clutch
- Mounting hole diameter (both ends): 1/2" [13mm]
- Duty cycle: 25% or 2 min continuous operation in 8 min.
- Working temperature: -13F [-25C] to +149F [+65C]
- IP rating: IP65 (IP69K or Special Order)

Performance Data

Gear Ratio	Max Load/Dynamic		Speed/No Load		Speed/Max Load	
	Lbs. [US]	Newtons	inches/sec	mm/sec	inches/sec	mm/sec
05:1	562	2500	2.64	67.1	1.86	47.2
10:1	787	3500	1.32	33.5	1.05	26.7
20:1	1012	4500	0.66	16.8	0.56	14.3
30:1	1349	6000	0.44	11.2	0.39	09.8
40:1	1574	7000	0.33	08.4	0.29	07.4



Our Light Duty (GF13) Series linear actuators feature an environmentally sealed (IP69K) design with the same dynamic load capacity as the standard LD Series. These units are ideally suited for many industrial, agricultural, automotive, and off-highway applications that require maximum protection against water and dust. All aluminum construction with steel drive gears ensure tremendous durability and reliability. Offered in six stroke lengths from 2" to 12" (nominal) with speeds ranging from 0.18 inches to 1.79 inches per second. All GF13 Series linear actuators come standard with non-adjustable limit switches to safely stop the drive motor at each end-of-stroke.

Standard Features:

- Compact design
- All aluminum frame and extension tube
- Input voltage: 12VDC, 24VDC
- Nominal stroke lengths: 2" [50mm], 4" [100mm], 6" [150mm], 8" [200mm], 10" [250mm], 12" [300mm]
- Standard gear ratio: 20:1 [other ratios available]
- Dynamic load range: 34 lbs. [150 Newtons] –to– 225 lbs. [1000 Newtons]
- Static load: 112 lbs. [500 Newtons] (5:1 gear ratio), 582 lbs. [2500 Newtons] (all other gear ratios)
- Maximum current draw: 2.4 Amps @ 12 VDC
- Typical speed at no load: 0.29 in/sec [7.3 mm/sec] to 1.79 in/sec [45.5 mm/sec]
- Typical speed at max load: 0.18 in/sec [4.6 mm/sec] to 1.21 in/sec [30.8 mm/sec]
- Standard preset limit switches at both ends of stroke
- Mounting hole diameter (both ends): 1/4" [6.4mm]
- Typical lead wire length: 35" [900mm]
- Duty cycle: 20%, maximum 2 minutes continuous operation in 18 minutes
- Working temperature: -13F [-25C] -to- +149F [+65C]
- Noise level: ≤55dB
- IP rating: IP69K

Performance Data

Gear Ratio	Max Load/Dynamic		Speed/No Load		Speed/Max Load	
	Lbs. [US]	Newtons	inches/sec	mm/sec	inches/sec	mm/sec
05:1	34	150	1.79	45.5	1.21	30.8
10:1	56	250	1.09	27.7	0.66	16.8
20:1	112	500	0.61	15.6	0.37	09.5
30:1	180	800	0.39	09.9	0.25	06.3
40:1	225	1000	0.29	07.3	0.18	04.6

LINEAR ACTUATORS

GF14/GF15, IN-LINE SERIES



Our Compact In-Line (GF14/GF15) Series linear actuators deliver a 225 lb. dynamic load capacity (with standard 27:1 gear ratio). These units are ideally suited for many industrial, agricultural, automotive, and off-highway applications where a compact in-line profile is required. Offered in eight stroke lengths from 2" to 16" (nominal) with speeds ranging from 0.20 inches to 0.69 inches per second. The GF14 Series actuator body is 304 stainless steel. The GF15 Series actuator body is black powder coated steel.

Standard Features:

- Compact in-line design
- Stainless steel (SUS304) or black powder coated
- Nominal stroke lengths: 2" [50mm], 4" [100mm], 6" [150mm], 8" [200mm], 10" [250mm], 12" [300mm], 14" [350mm], 16" [400mm]
- Input voltage: 12VDC, 24VDC
- Dynamic load range: 135 lbs. [600 Newtons] –to– 337 lbs. [1,500 Newtons]
- Static load rating is 405 lbs. [1800 Newtons] for all 3 gear ratios
- Maximum current draw: 4.0 Amps @ 12 VDC
- Speed at no load: 0.30 in/sec [7.5 mm/sec] –to– 0.69 in/sec [17.4 mm/sec]
- Speed at max load: 0.20 in/sec [5.0 mm/sec] –to– 0.48 in/sec [11.7 mm/sec]
- Positioning signal feedback with 2 Hall effect sensors
 - o Optional without Hall effect sensors
- Standard lead wire length is approximately 39" [1,000mm]
- Mounting hole diameter (both ends): 3/8" [10mm]
- Duty cycle: 10%, maximum 2 min continuous operation in 20 min.
- Working temperature: -4F [-20C] to +158F [+70C]
- IP rating: IP66, IP69K
- Certified: CE Marking, EMC Directive 2014/30/EU

Performance Data

Gear Ratio	Max Load/Dynamic		Speed/No Load		Speed/Max Load	
	Lbs. [US]	Newtons	inches/sec	mm/sec	inches/sec	mm/sec
19:1	135	600	0.69	17.4	0.46	11.7
27:1	225	1000	0.48	12.3	0.31	08.0
43:1	337	1500	0.30	07.5	0.20	05.0

Where Will-Fit Means More Than Replacement Parts

Our GlideForce linear actuators have been thoroughly designed and field-tested against every piece of original equipment we replace.

From inspecting outside dimensions and available replacement room to internal specifications and performance standards, we ensure our GlideForce linear actuators can stand up to the original's performance in every way. We have models to replace nearly every major manufacturer from AGCO, John Deere, and many more.

Our will-fit actuators feature:

- Field-tested extensively for quality and performance matching
- Significant cost savings when compared to original part
- Streamlined order process, reducing delivery times from weeks to days
- Wide variety of equipment applications, from balers to combines, and much more

*OEM numbers are for reference only

AGCO APPLICATION *		
C.I SKU	OEM REF. No.	Description
GF12-1033	700709661	Baler
GF12-1035	700730000	Baler
GF12-1036	700731957	Baler
GF12-1037	700705163	Baler
GF12-1038	700724407	Baler
GF12-1039	700738759	Baler
GF12-1041	700703665	Baler
GF12-1052	700711353	Baler
GF12-1034	71385146	Platform
GF12-1042	71446154	Platform
CNH CASE IH NEW HOLLAND APPLICATIONS *		
C.I SKU	OEM REF. No.	Description
GF12-1004	768929	Baler
GF12-1044	9843435	Baler
GF12-1045	86634125	Baler
JOHN DEERE APPLICATIONS *		
C.I SKU	OEM REF. No.	Description
GF12-1043	AXE23606	Straw Chop.
GF12-1002	AE52551	Baler
GF12-1067	AH160107	Combine
VERMEER APPLICATIONS *		
C.I SKU	OEM REF. No.	Description
GF12-1046	95892020	Baler
GF12-1031	95892001	Baler
GF12-1032	68234001	Baler

Custom Designed To Meet Your Needs

Concentric International is a leader in building linear actuators that are specific to an OEM's requirements. These custom-built linear actuators provide solutions that meets the unique needs of the OEM customers.

Do you need a custom application?

Email your specifications to info@concentricintl.com to learn how we can help you.



BRACKETS

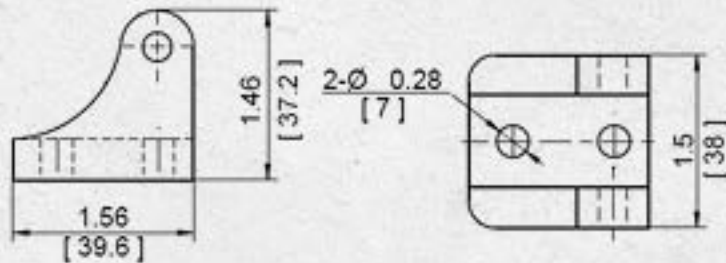


LINEAR ACTUATOR BRACKETS

Light Duty, Aluminum

Part Number: LA-LD-BRACKET

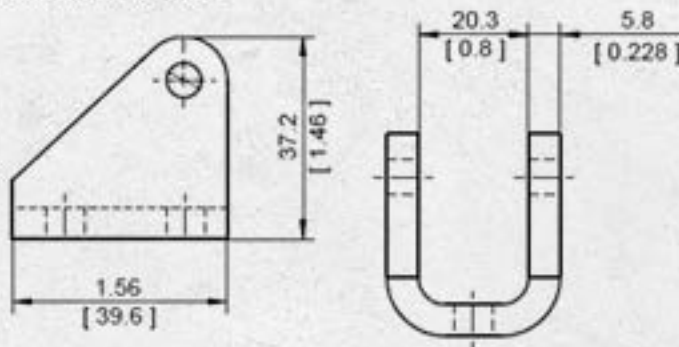
Premium linear actuator mounting bracket specifically designed from solid aluminium block for LD Actuators.



Light Duty, Steel

Part Number: LA-LD-BRKT-KIT

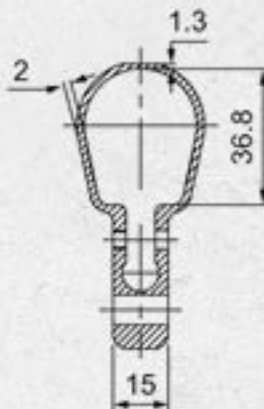
Premium steel bracket specially designed for the GlideForce Light Duty Linear Actuators. Comes in a set of 2.



Light Duty, Aluminum Clamp

Part Number: LA-LD-CLAMP

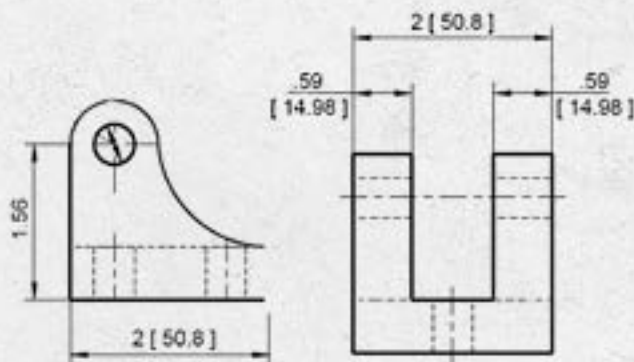
Premium Linear Actuator clamp specially designed for the GlideForce Light Duty Linear Actuators.



Medium Duty, Aluminum

Part Number: LA-MD-BRACKET

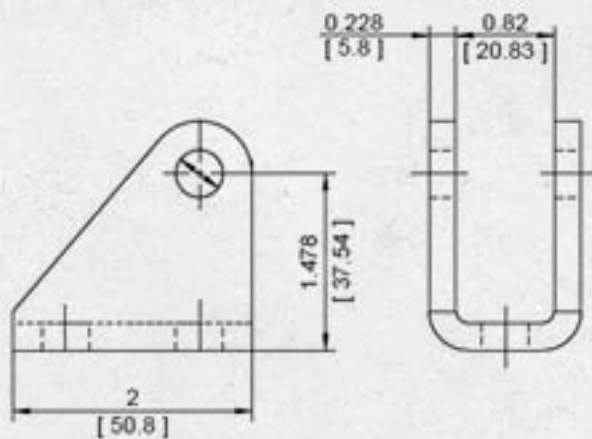
Premium bracket specially designed from solid aluminum block for the GlideForce Medium Duty Linear Actuators.



Medium Duty, Steel

Part Number: LA-MD-BRKT-S

Premium steel bracket specially designed for the GlideForce Medium Duty Linear Actuators.



BRACKETS

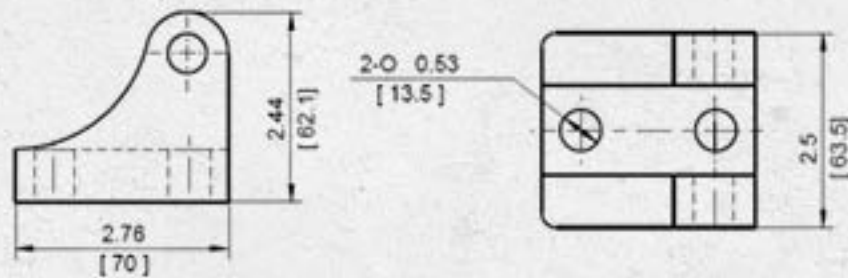


LINEAR ACTUATOR BRACKETS

Industrial Duty, Aluminum

Part Number: LA-ID-BRACKET

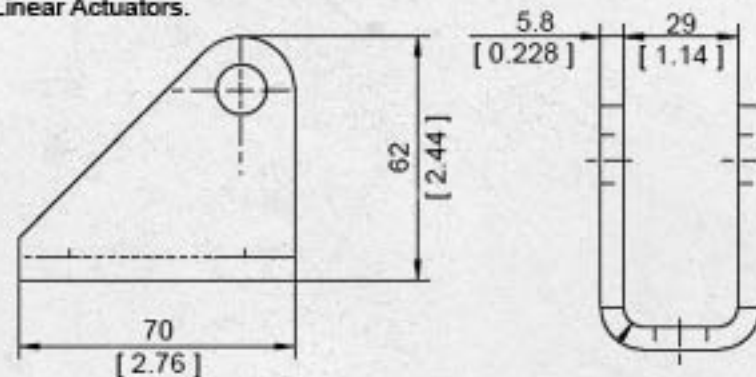
Premium bracket specially designed from solid aluminum block for the GlideForce Industrial Duty Linear Actuators.



Industrial Duty, Steel

Part Number: LA-ID-BRKT-S-PC

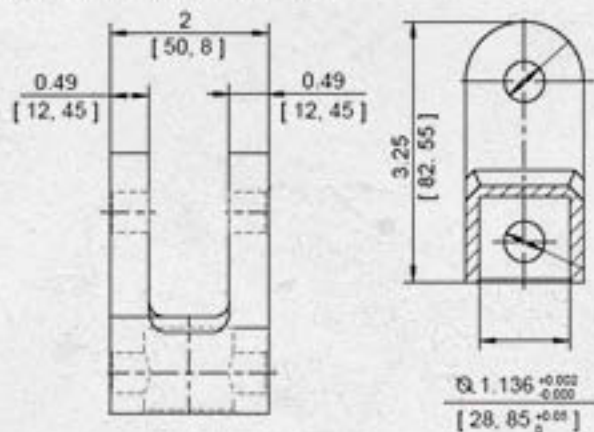
Premium steel bracket specially designed for the GlideForce Industrial Duty Linear Actuators.



Industrial Duty, Aluminum Clevis

Part Number: LA-ID-CLEVIS

Premium bracket specially designed from solid aluminum block for the GlideForce Industrial Duty Linear Actuators.



CONTROLLERS



CONTROLLERS



VERSA 2 WIRELESS CONTROL SYSTEM



The Versa 2 features a simple way to control linear actuators with a DC motor power supply, all within a 150' line-of-sight range and completely waterproof receiver. It features a simple two button operation (with two keychain transmitters), one button for one polarity, and the other button to reverse polarity.

Features:

- Wireless
- 150' line-of-site range
- Pair up to 4 remotes with 1 receiver
- 30 Amp contacts
- Polarity reversing
- Receiver: IP67 rated
- Transmitter: No IP rating
- Dynamic braking

Specifications:

- Transmitter battery: 12v – LR23A
- Power supply: 12VDC (nominal)
- Standby current: 7mA
- Operating current: 137mA
- Duty rating: 50%
- Maximum ON time at 30 Amps: 30 minutes
- Lead length: 13"
- Lead wire gauge: 14 AWG
- RF section: 433 MHz
- Range: 150' (unrestricted)
- Transmitter: 2 button
- Transmitter pairing: Up to 4 transmitters
- Maximum output load: 30 Amps
- In-line fuse: 30 Amps
- Output voltage: 12 VDC (nominal) – polarity reversing
- Output switching: Relay, momentary contact
- Mounting hole size: 3/16"
- Mounting hole spacing: 3-9/16"
- Receiver case: 3-3/16"L x 2-3/4"W x 1-5/8" D
- Receiver: IP67 rated



The Versa 7 wireless features a robust remote control receiver/transmitter combination with 2 multi-button remotes control for complex application. First 2 channels have 30 amp relay outputs. Channels 3-7 are 500 mA output to power external relays (not included). Each circuit is controlled separately from the buttons on the remote keychain transmitter.

Specifications:

- 12 VDC (nominal)
- 5 Amp fuse for use with the controller
- 35 Amp fuse for use with the two internal relays
- Control unit (nominal dimensions):
 - Length: 3.8" (4.2" with mounting tabs)
 - Width: 3.6" (3.8" including connectors and switches)
 - Height: 1.2"
 - Mount holes: 0.09 x 0.47" slot
- 4 button remote transmitters (2)
- Receiver can be paired with up to 4 remote transmitters
- Remote transmitter battery: LR23A
- No IP rating (not waterproof)

Kit Contains:

- (1) Control Unit
- (2) 4-button Remote (pre-paired with the receiver)
- (2) Wire Harness

Features:

- Wireless
- 150' line-of-site range
- Pair up to 4 remotes with 1 receiver
- 30 Amp contacts
- Polarity reversing
- Transmitter: No IP rating
- Dynamic Braking

CONTROLLERS



LINEAR ACTUATOR POSITION CONTROLLER - ONE ACTUATOR



The Linear Actuator Controller unit features 3 user programmable presets that are easily accessed via the push-button display to precisely control one linear actuator.

When the linear actuator reaches a position which you would like to preset, simply press and hold the corresponding button for 5 seconds. The position is programmed by the main control unit and visually indicated by a flashing LED above the preset.

Standard Features:

- 3 user programmable actuator travel set points
- 12 VDC (nominal)
- 7.5 Amp fuse
- Control box and wired 3-button switch: No IP rating (not waterproof)
- Works with Concentric International's Light Duty and Medium Duty series actuator with potentiometers

Kit Contains:

- (1) Control unit
- (1) Control unit wire harness
- (1) Wired 3-button switch
- (1) 3-button switch wire harness
- (1) Double-sided tape
- (1) Mounting hardware

Optional Accessories:

- 10' Linear actuator cable extension harness



The Dual Linear Actuator Controller unit features 3 user programmable presets that are easily accessed via the push-button display to precisely control two linear actuators, and keep both actuators in position sync with each other. When the linear actuator reaches a position which you would like to preset, simply press, and hold the corresponding button for 5 seconds. The position is programmed by the main control unit and visually indicated by a flashing LED above the preset.

Standard Features:

- Control 1 or 2 actuators with one controller
- Actuators can be controlled individually, in sequence, or simultaneously
- 3 user programmable actuator travel set points for each actuator
- 12 VDC (nominal)
- 15 Amp fuse (7.5 Amp limit per actuator)
- Works with Concentric International's Light Duty and Medium Duty series actuators with potentiometers
- No IP rating

Kit Contains:

- (1) Control unit
- (1) Control unit wire harness
- (1) Wired 3-button switch
- (1) 3-button switch wire harness
- (1) Double-sided tape
- (1) Mounting hardware

Optional Accessories:

- 10' Linear actuator cable extension harness

ACCESSORIES





Reversing polarity relays. Ideal for controlling permanent magnet motors. Both output terminals rest at ground for dynamic braking in de-energized state. Will handle 100 AMP loads and a 25% duty rating.

Splash resistant body with O-ring seals. Silver-plated contacts.

Available in 12 volt DC and 24 volt DC

Standard Features

- Dynamic braking
- Eliminates motor coasting
- Eliminates arcing issues with rapid reversal
- Self-contained
- Simplified wiring
- 100 Amp contacts
- IP65 rated

	Relay-100-12V	Relay-100-24V
Contact Type	Two SPDT	Two SPDT
Maximum Current	100A	100A
Inrush Current	200A	200A
Nominal Switching Voltage	12VDC	24VDC
Contact Mechanical Life	10,000	10,000
Cycle Life at Inrush Rating	5,000	5,000
Maximum Coil Duty Cycle	25%	25%
Maximum On Time	15 Minutes	15 Minutes
Thermal Operation	-40°C to 85°C	-40°C to 85°C
Pull in Voltage	10.3VDC	19.3VDC
Drop Out Voltage 100A	6.0VDC	16.0VDC
Rated Coil Voltage	9-14VDC	18-28VDC
Coil Resistance	7.2Ω +/- 0.5Ω	25Ω +/- 0.5Ω
Contact Material Type	AgSnO2InO3	AgSnO2InO3
Maximum Operation Time	50ms	50ms
Release Time	30ms	30ms
Minimum Operating Voltage	9VDC	18VDC
Minimum Operating Current	1.35A	0.68A
IP Rating	IP65	IP65
Wiring Stud Thread	M6-1.0	M6-1.0

LINEAR ACTUATOR SWITCHES

Reversing Rocker Switch – 4 Wire

Part Number:

Maintained Contact (SWT-ROC-4W)

Momentary Contact (SWT-ROC-MOM-4W)

Standard Features:

- Rocker switch
- DPDT
- 4-wire
- 12 VDC
- 30 Amp*
- ON-OFF-ON
- Polarity reversing circuit
- Terminals: 1/4" quick connect
- Mounting: 1.48" x 0.83"



Reversing Toggle Switch – 4 Wire

Maintained Contact (SWT-TOG-4W)

Momentary Contact (SWT-TOG-MOM-4W)

Standard Features:

- Toggle switch
- DPDT
- 4-wire
- 12 VDC
- 30 Amp*
- ON-OFF-ON
- Polarity reversing circuit
- Terminals: 1/4" quick connect
- Mounting: 0.48" diameter hole
- Mounting nut thread: M12x0.75



* When used with Concentric International's linear actuators at 25% duty cycle maximum



concentric™
INTERNATIONAL



SEATS



RUBBER MOLDED TEETH



POWER TRANSMISSION
SOLUTIONS

Learn More About All of Our Products.

www.concentricintl.com

Copyright ©2019. All Rights Reserved

A RUAN COMPANY