

### Product Data Sheet

## Reversing Toggle Switch – 4 wire

### Standard Features:

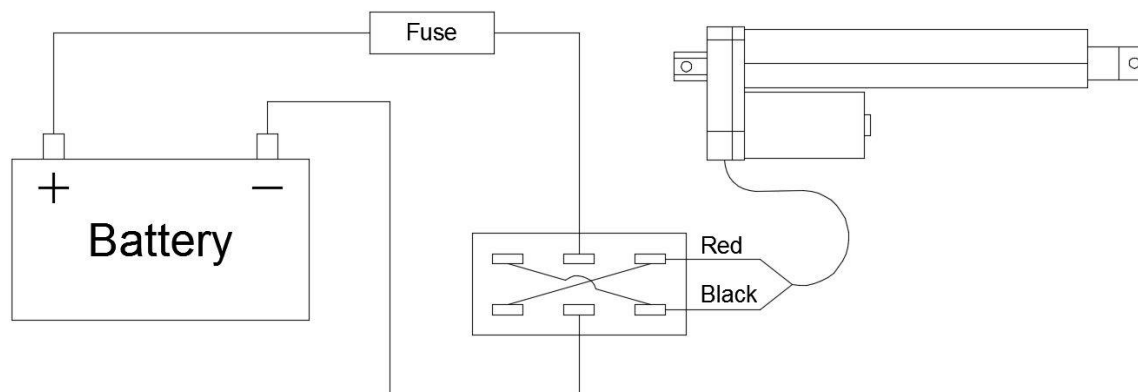
- Toggle switch
- DPDT
- 4-wire
- 12 VDC
- 30 Amp\*
- ON-OFF-ON
- Polarity reversing circuit
- Terminals: 1/4" quick connect
- Mounting: 0.48" diameter hole
- Mounting nut thread: M12x0.75



\* When used with Concentric International's linear actuators at 25% duty cycle maximum

### Part Numbers:

<b>SWT-TOG-4W</b>	Maintained Contacts	Packaged individually in clam shell packs
<b>SWT-TOG-MOM-4W</b>	Momentary Contacts	Packaged individually in clam shell packs



### Terms of Use

The user is responsible for determining the suitability of Concentric International products for specific applications. Due to continuous development in order to improve its products, Concentric International products are subject to change without prior notice. Concentric International reserves the right to discontinue the sale of any products at any time.