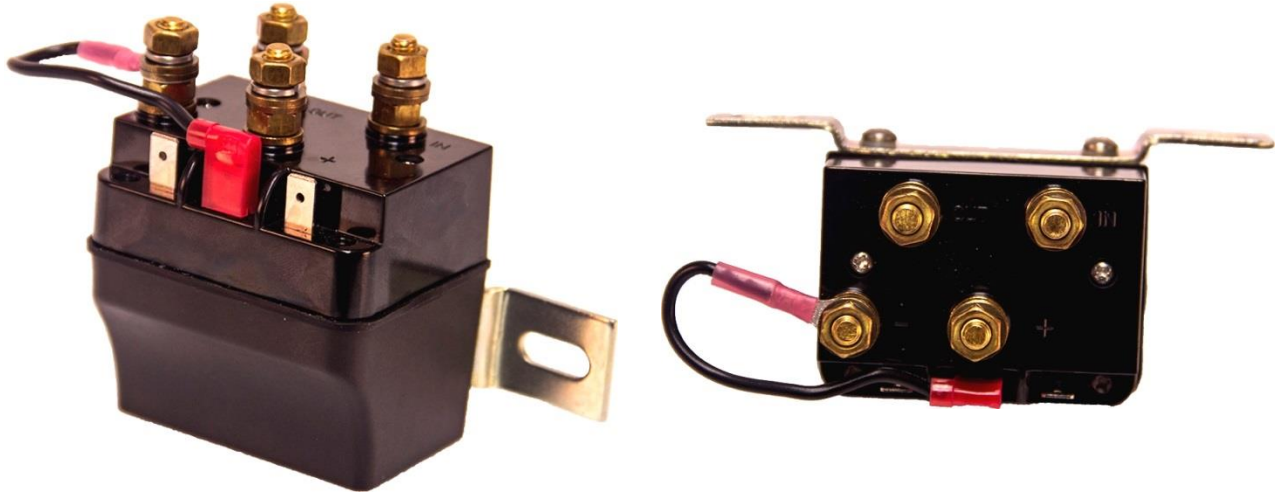


## Product Data Sheet

# 100 Amp DC Reversing Relay



### Standard Features:

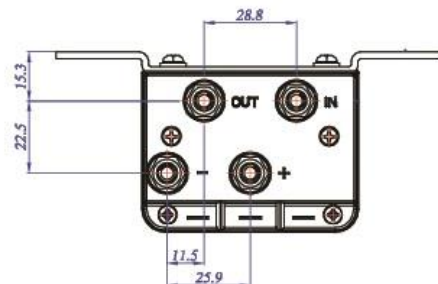
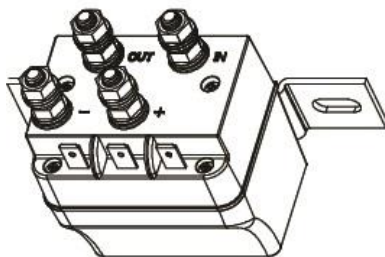
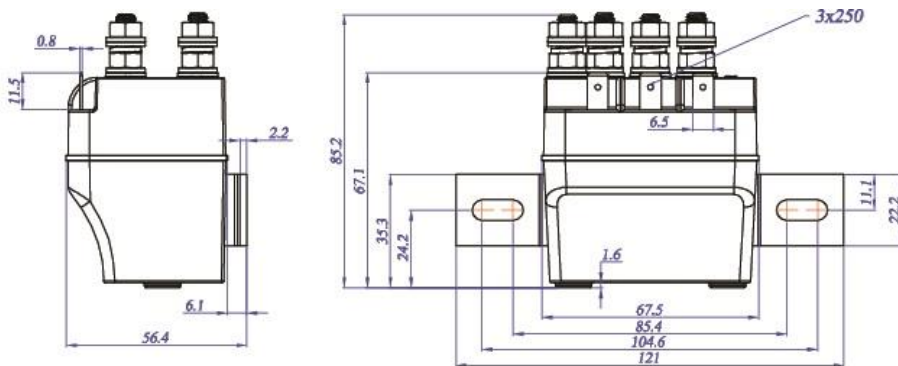
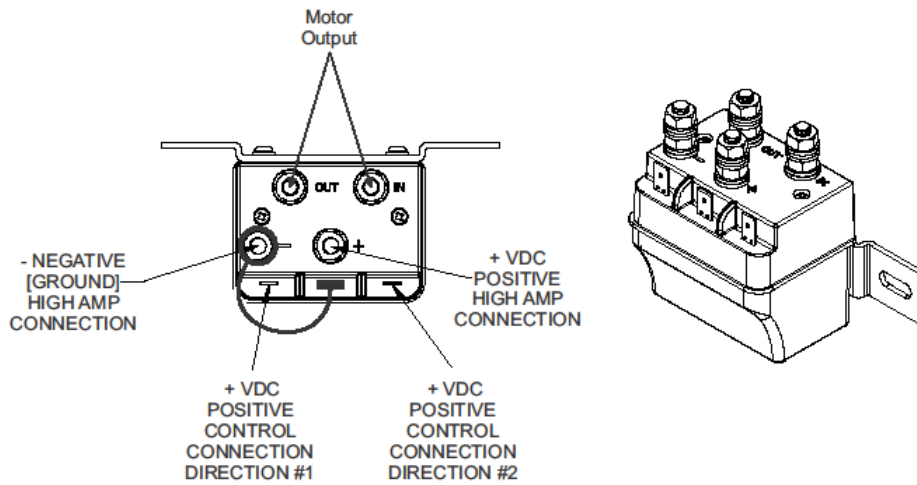
- Dynamic braking
  - Eliminates motor coasting
  - Eliminates arcing issues with rapid reversal
- Self-contained
  - Simplified wiring
- 100 Amp contacts
- IP65 rated

**Specifications:**

	<b>Relay-100-12V</b>	<b>Relay-100-24V</b>
<b>Contact Type</b>	Two SPDT	Two SPDT
<b>Maximum Current</b>	100A	100A
<b>Inrush Current</b>	200A	200A
<b>Nominal Switching Voltage</b>	12VDC	24VDC
<b>Contact Mechanical Life</b>	10,000	10,000
<b>Cycle Life at Inrush Rating</b>	5,000	5,000
<b>Cycle Life at Maximum Current</b>	1,000	1,000
<b>Maximum Coil Duty Cycle</b>	25%	25%
<b>Maximum On Time</b>	15 Minutes	15 Minutes
<b>Thermal Operation</b>	-40°C to 85°C	-40°C to 85°C
<b>Pull in Voltage</b>	10.3VDC	19.3VDC
<b>Drop out Voltage 100A</b>	6.0VDC	16.0VDC
<b>Rated Coil Voltage</b>	9-14VDC	18-28VDC
<b>Coil Resistance</b>	7.2Ω +/- 0.5Ω	25Ω +/- 0.5Ω
<b>Contact Material Type</b>	AgSnO2InO3	AgSnO2InO3
<b>Maximum Operation Time</b>	50ms	50ms
<b>Release Time</b>	30ms	30ms
<b>Minimum Operating Voltage</b>	9VDC	18VDC
<b>Minimum Operating Current</b>	1.35A	0.68A
<b>IP Rating</b>	IP65	IP65
<b>Wiring Stud Thread</b>	M6-1.0	M6-1.0

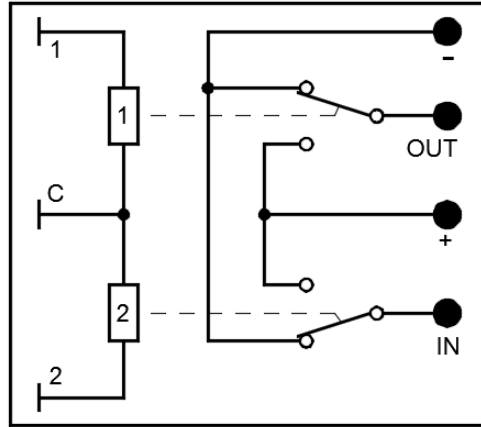
**Relay-100-48V** (development in process)

Drawing:



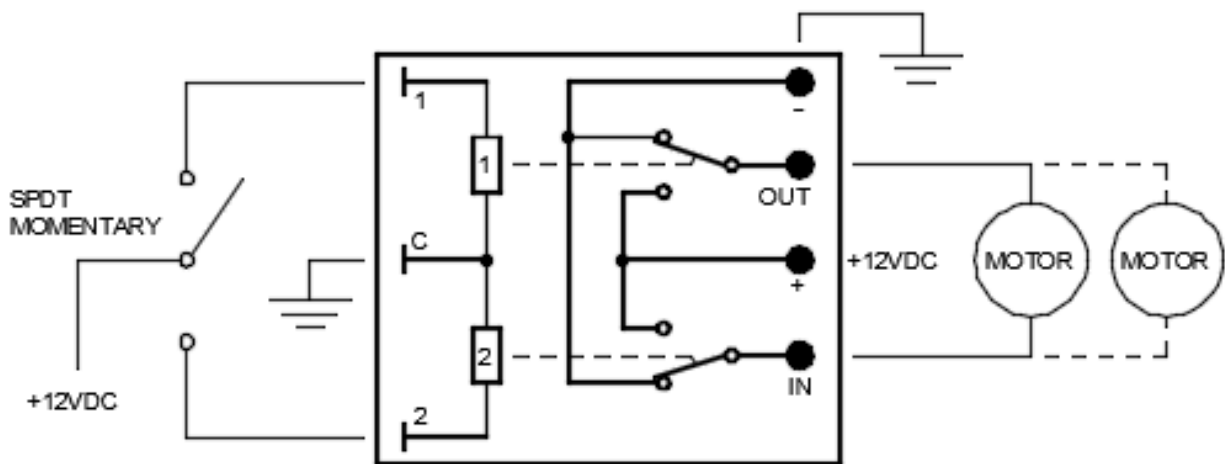
### Wiring:

100 Amp DC Reversing Relay



### Applications:

12 vdc relay controlling a single 12 vdc actuator motor (or two 12 vdc actuator motors at the same time – second motor with dashed line connections)



### Ordering Key

RELAY – 100 –  V

**Voltage:**

12 : 12VDC

24 : 24VDC

<b>Part Number</b>	<b>Description</b>
RELAY-100-12V	100 Amp 12 VDC Reversing Relay
RELAY-100-24V	100 Amp 24 VDC Reversing Relay

### Terms of Use

The user is responsible for determining the suitability of Concentric International products for specific applications. Due to continuous development in order to improve its products, Concentric International products are subject to change without prior notice. Concentric International reserves the right to discontinue the sale of any products displayed on its website or listed in its catalog or other written materials drawn up by Concentric International.