

## Product Data Sheet



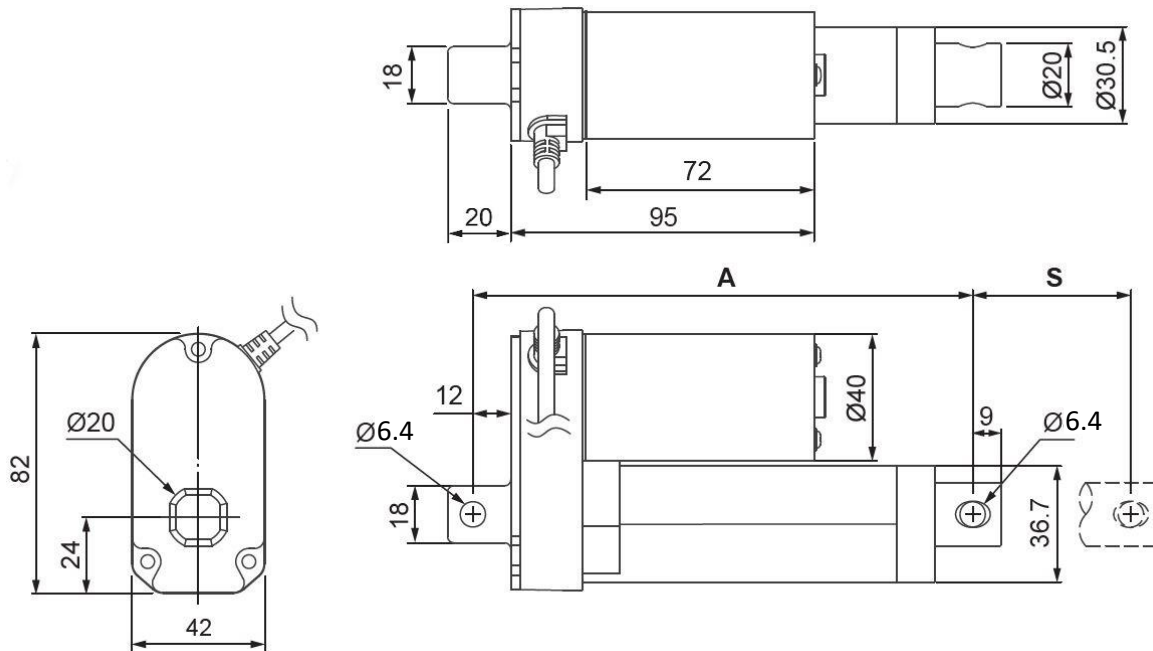
### Standard Features:

- Compact design
- All aluminum frame and extension tube
- Nominal stroke lengths: 2" [50mm], 4" [100mm], 6" [150mm], 8" [200mm], 10" [250mm], 12" [300mm]
- Input voltage: 12VDC, 24VDC
- Standard gear ratio: 20:1 [other ratios available]
- Dynamic load range: 34 lbs. [150 Newtons] –to- 225 lbs. [1000 Newtons]
- Maximum static load: 562 lbs. [2,500 Newtons]
- Maximum current draw: 3.2 Amps @ 12 VDC
- Speed at no load: 0.28 in/sec [7 mm/sec] –to- 1.73 in/sec [43.9 mm/sec]
- Speed at full load: 0.22 in/sec [5.5 mm/sec] –to- 1.44 in/sec [36.5 mm/sec]
- Standard preset limit switches at both ends of stroke
- Noise level:  $\leq 70$ dB
- Mounting hole diameter (both ends): 1/4" [6.4mm]
- Duty cycle: 25% or 1 min continuous operation in 4 min.
- Working temperature: -13F [-25C] to +149F [+65C]
- IP rating: IP65
- Certified: CE Marking, Electromagnetic Compatibility Directive 2014/30/EU (nylon pinion gear version only)

### Accessories:

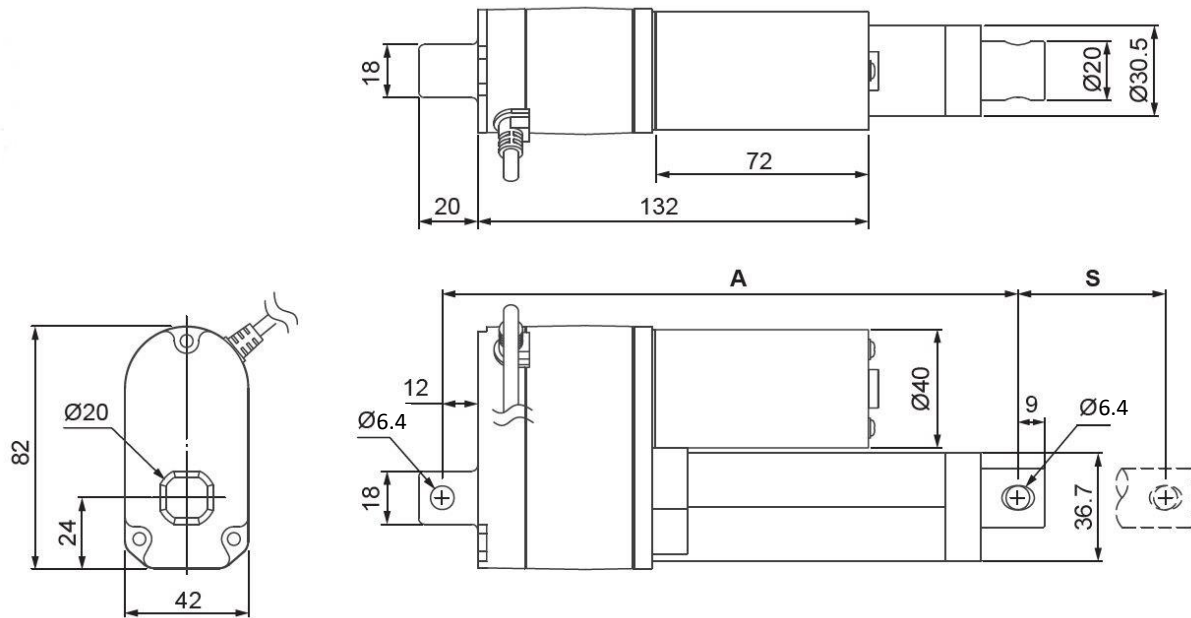
- Mounting brackets
- Direction reversing switches
- Wired and wireless controllers
- Direction reversing relays

Dimensions – Actuator Without Potentiometer



Nominal Stroke	2"		4"		6"		8"		10"		12"	
	in	mm	in	mm	in	mm	in	mm	in	mm	in	mm
Actual Stroke (S)	1.97	50	3.94	100	5.91	150	7.87	200	9.84	250	11.81	300
Retracted Length (A)	6.22	158	8.23	209	10.24	260	12.24	311	14.25	362	16.26	413
Extended Length	8.19	208	12.17	309	16.14	410	20.19	511	24.09	612	28.07	713

### Dimensions – Actuator With Potentiometer

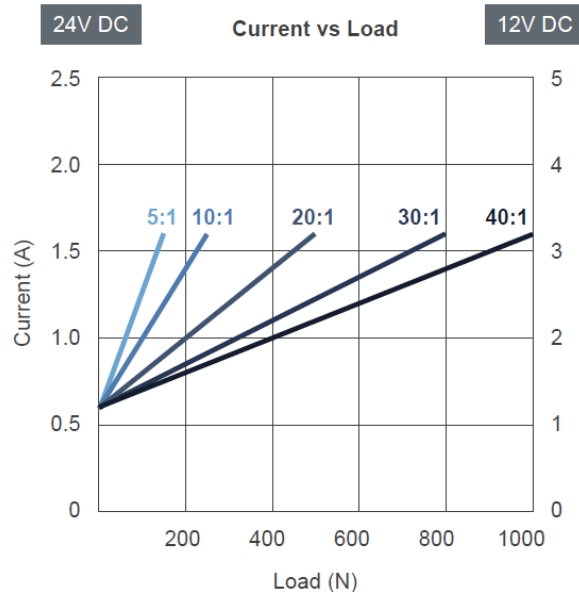
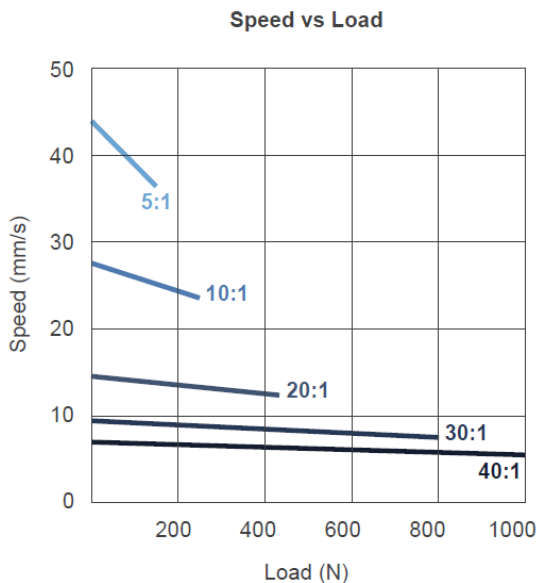


Nominal Stroke	2"		4"		6"		8"		10"		12"	
	in	mm	in	mm	in	mm	in	mm	in	mm	in	mm
Actual Stroke (S)	1.97	50	3.94	100	5.91	150	7.87	200	9.84	250	11.81	300
Retracted Length (A)	7.68	195	9.69	246	11.69	297	13.70	348	15.71	399	17.72	450
Extended Length	9.65	245	13.62	346	17.60	447	21.57	548	25.55	649	29.53	750

**Performance Data**

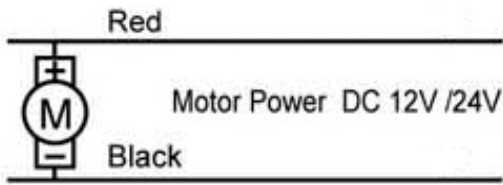
Gear Ratio	Max Load/Dynamic		Self-Locking Force Maximum		Speed/No Load		Speed/Max Load	
	Lbs. [US]	Newtons	Lbs. [US]	Newtons	inches/sec	mm/sec	inches/sec	mm/sec
5:1	34	150	562	2500	1.73	43.9	1.44	36.5
10:1	56	250	562	2500	1.09	27.6	0.93	23.5
20:1	112	500	562	2500	0.57	14.6	0.48	12.3
30:1	180	800	562	2500	0.37	9.5	0.30	7.5
40:1	225	1000	562	2500	0.28	7.0	0.22	5.5

Gear Ratio	Typical Current (A)			
	No Load		Full Load	
	12 VDC	24 VDC	12 VDC	24 VDC
5:1	1.2	0.6	3.2	1.6
10:1	1.2	0.6	3.2	1.6
20:1	1.2	0.6	3.2	1.6
30:1	1.2	0.6	3.2	1.6
40:1	1.2	0.6	3.2	1.6



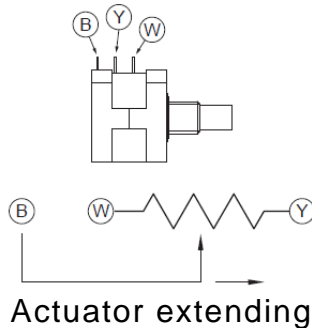
**Note:** The typical speed and typical current are the average values – not the upper or lower limit. The performance curves are made with typical values.

### Electrical



Without Potentiometer  
 Red + // Black - : Extend  
 Red - // Black + : Retract

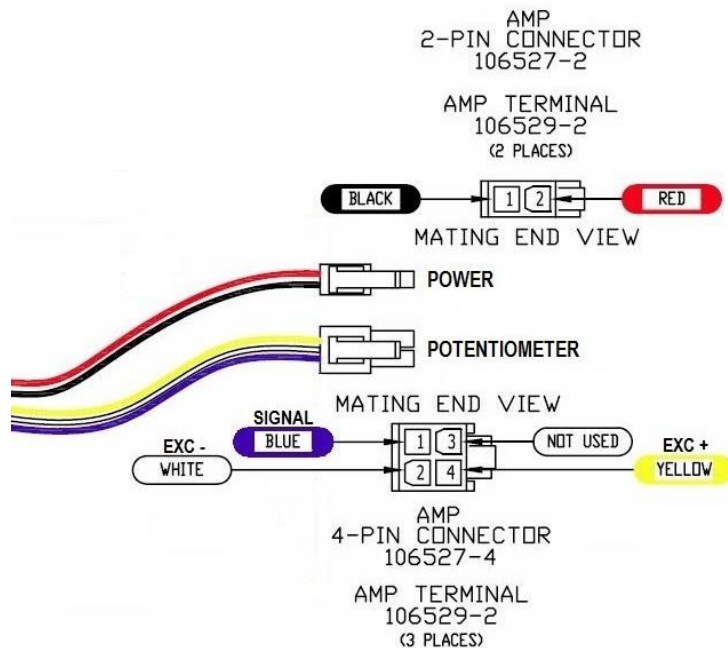
With Potentiometer  
 Red + // Black - : Retract  
 Red - // Black + : Extend



When fully retracted, the potentiometer reading will be in or near the range of 0 - 600Ω (between the blue and the white wires).

When fully extended, the potentiometer reading will be in or near the range of 8K - 10KΩ (between the blue and the white wires).

### Connector Wiring



**Ordering Key**

LACT   -  V -

**Standard Stroke (nominal)**

- 2 : 2" [ 50mm]
- 4 : 4" [100mm]
- 6 : 6" [150mm]
- 8 : 8" [200mm]
- 10 : 10" [250mm]
- 12 : 12" [300mm]

Additional stroke lengths available

**Potentiometer**

- Blank : No Potentiometer
- P : Potentiometer

**Input Voltage**

- 12 : 12 VDC
- 24 : 24 VDC

**Gear Ratio**

- 05 : 5:1
- 10 : 10:1
- 20 : 20:1 – Standard Gear Ratio
- 30 : 30:1
- 40 : 40:1

Not all gear ratios stocked

**Options**

- Blank : Standard nylon pinion gear
- M : Metal pinion gear

**Certifications**

This actuator is compliant with the following regulations, in terms of the essential conformity requirements of EMC Directive of 2014/30/EU.

Emission	Immunity
EN 55014-1:2006+A1:2009+A2:2011	EN 55014-2:1997+A1:2001+A2+:2008 Category I

**Terms of Use**

The user is responsible for determining the suitability of Concentric International products for specific applications. Due to continuous development in order to improve its products, Concentric International products are subject to change without prior notice. Concentric International reserves the right to discontinue the sale of any products at any time.