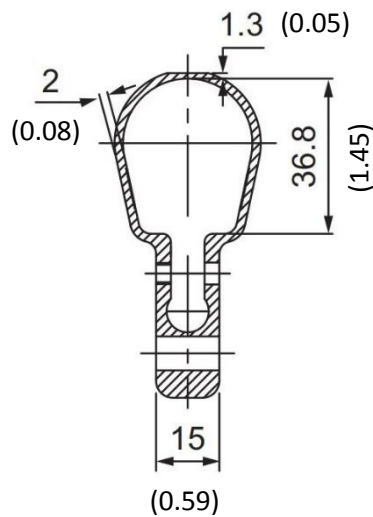
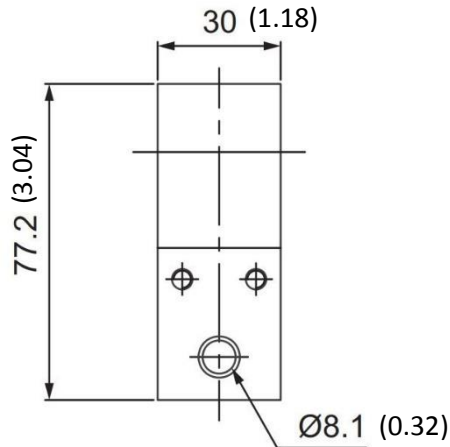


Product Data Sheet

Light Duty Aluminum Clamp

for the light duty LACT series actuators



Dimensions in millimeters (inches)

Part Number: LA-LD-CLAMP



Includes (2) M5 x 16mm screws
(Actuator not included)

Terms of Use

The user is responsible for determining the suitability of Concentric International products for specific applications. Due to continuous development in order to improve its products, Concentric International products are subject to change without prior notice. Concentric International reserves the right to discontinue the sale of any products at any time.