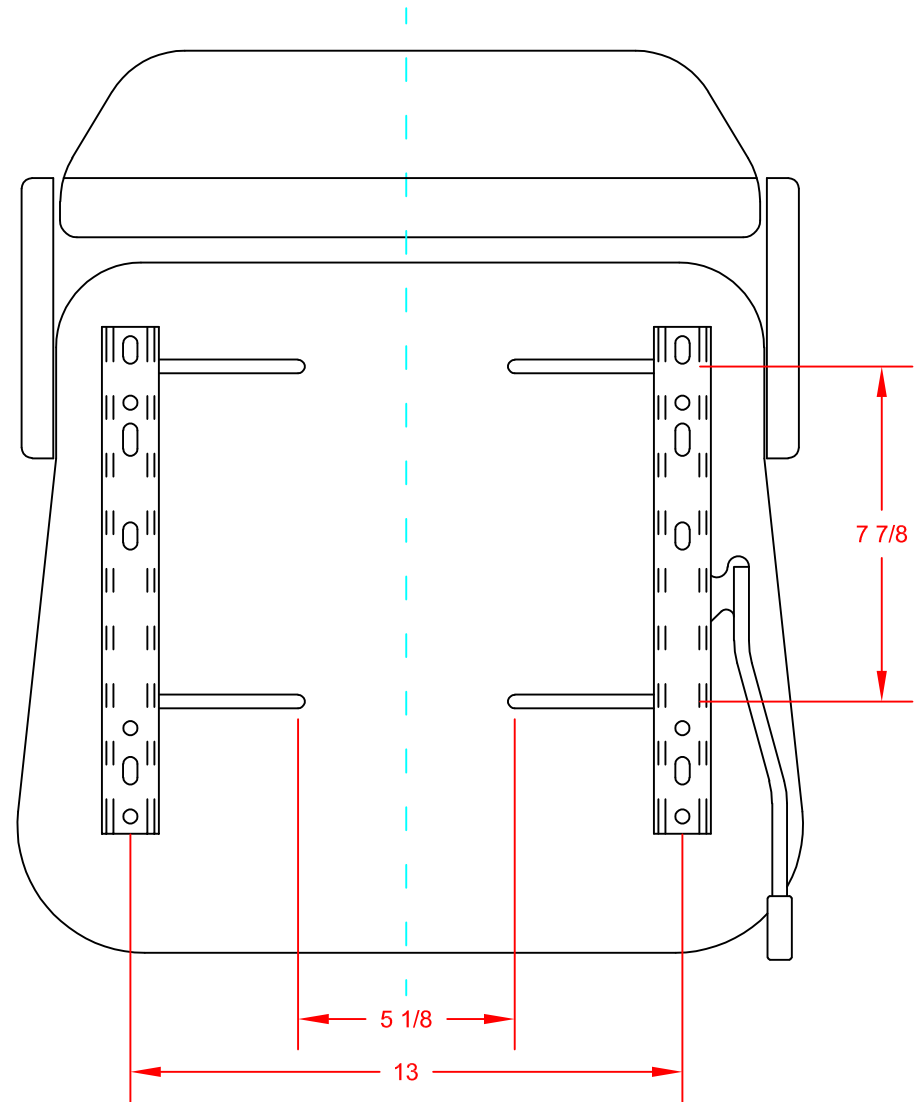


Bolt pattern mounting depths available:

- 4 1/2", 5 1/4", 5 1/2", 5 3/4", 6 1/4", 6 1/2"
- 6 3/4", 7", 7 1/2", 7 3/4", 8", 8 1/2", 8 3/4"
- 9", 9 3/4", 10", 10 1/4", 11"

Note: Both the right and left slide rails have the same hole pattern.



This document contains confidential and proprietary information that cannot be reproduced or divulged, in whole or in part, without written authorization from Concentric International.

Scale: None  
 Units: Inches  
 Tolerance:

Drawing Title:  
**355 Seat Base**

| Rev | Date     | By | Description                      |
|-----|----------|----|----------------------------------|
| A   | 10-11-17 | SC | Dimensional Drawing              |
| B   | 11-16-17 | SC | Dimensions in 1/16"              |
| C   | 5-15-19  | SC | Add bolt pattern mounting depths |

Sheet: 1 of  
 Filename:  
 355 Seat.dwg

Dwg / Part No:  
**355 Series Seat**