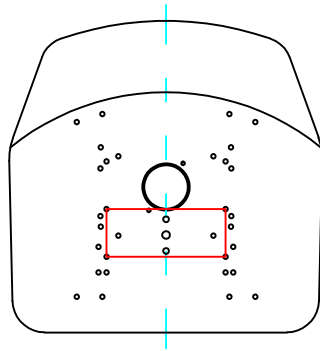
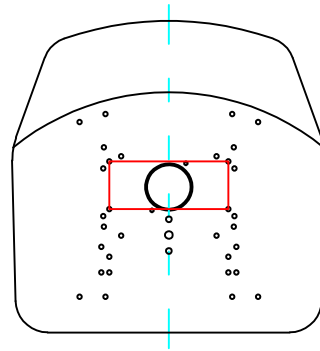


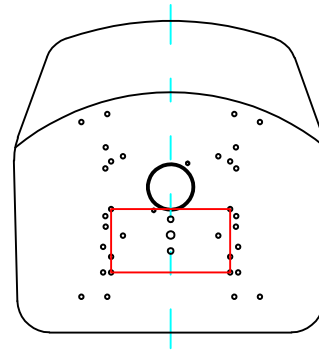
6" x 5"



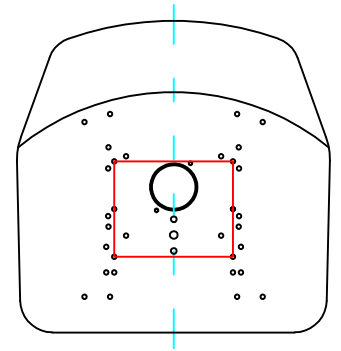
7.5" x 3"



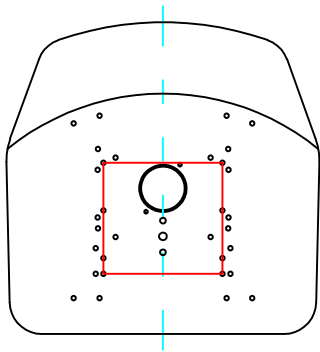
7.5" x 3"



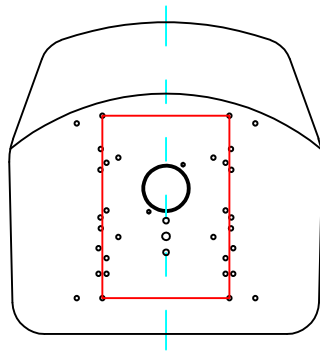
7.5" x 4"



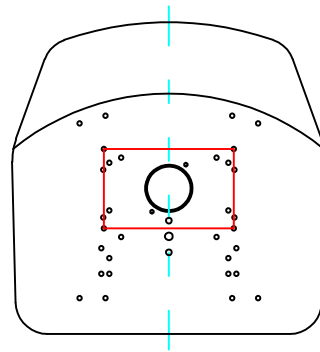
7.5" x 6"



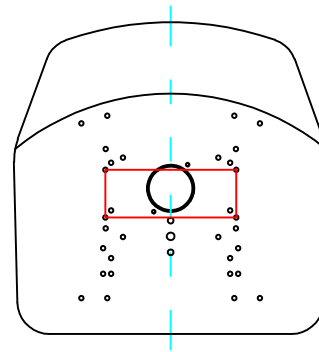
7.5" x 7"



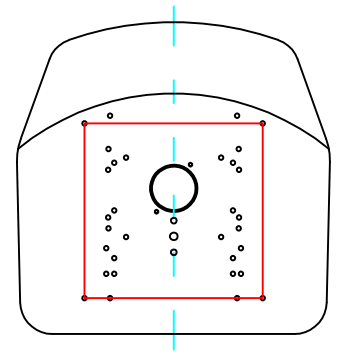
8" x 11.5"



8.2" x 5"



8.25" x 3"



11.25" x 11"



This document contains confidential and proprietary information that cannot be reproduced or divulged, in whole or in part, without written authorization from Concentric International.

Scale: None

Units: Inches

Tolerance:

Drawing Title:

135 Series Seat

Rev	Date	By	Description
A	4-16-19	SC	Bolt Patterns
B			
C			

Sheet: 2 of

Filename:

135 Seat-rev B.dwg

Dwg / Part No:

135 Seat